

Hyundai R140LC-9

Hydraulic Excavator



ENGINE

Model	Mitsubishi D04FD-TAA Water cooled, 4 cycle Diesel, 4-Cylinders in line, direct injection, turbocharged, charged air cooled and low emission
Number of cylinders	4
Piston displacement	4,250cc
Nominal flywheel power	J1995 (gross) - 119 HP (89 kW) / 2,000 rpm J1349 (net) - 113 HP (85 kW) / 2,000 rpm 6271/1 (gross) - 121 PS (89 kW) / 2,000 rpm 6271/1 (net) - 115 PS (85 kW) / 2,000 rpm
Max torque	45.4 kgf.m (328 lbf.ft) / 1,700 rpm
Bore & stroke	102 x 130 mm
Alternator	24 V - 50 Amp

Call 01304 840845

OVENDEN

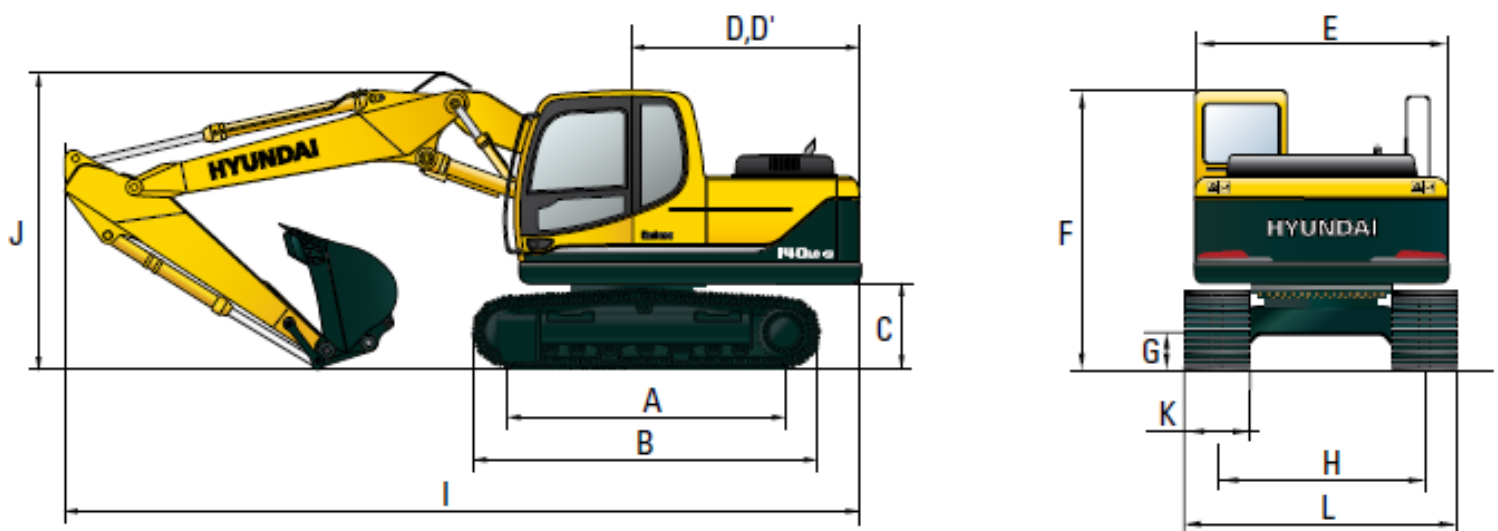
DIG IT > LOAD IT > CLEAR IT > MOVE IT

HYDRAULIC CYLINDERS

Cylinders	Quantity	Bore x Rod diameter x stroke
Boom	2	105 x 1,075 mm
Arm	1	115 x 1,138 mm
Bucket	1	100 x 837 mm
Blade	2	100 x 260 mm

HYDRAULIC SYSTEM

Pump type	Two variable displacement piston pumps
Main Pump	2 X 123.5 L /min
Travel:	Two speed axial piston motor with brake valve and parking brake
Swing:	Axial piston motor with automatic brake



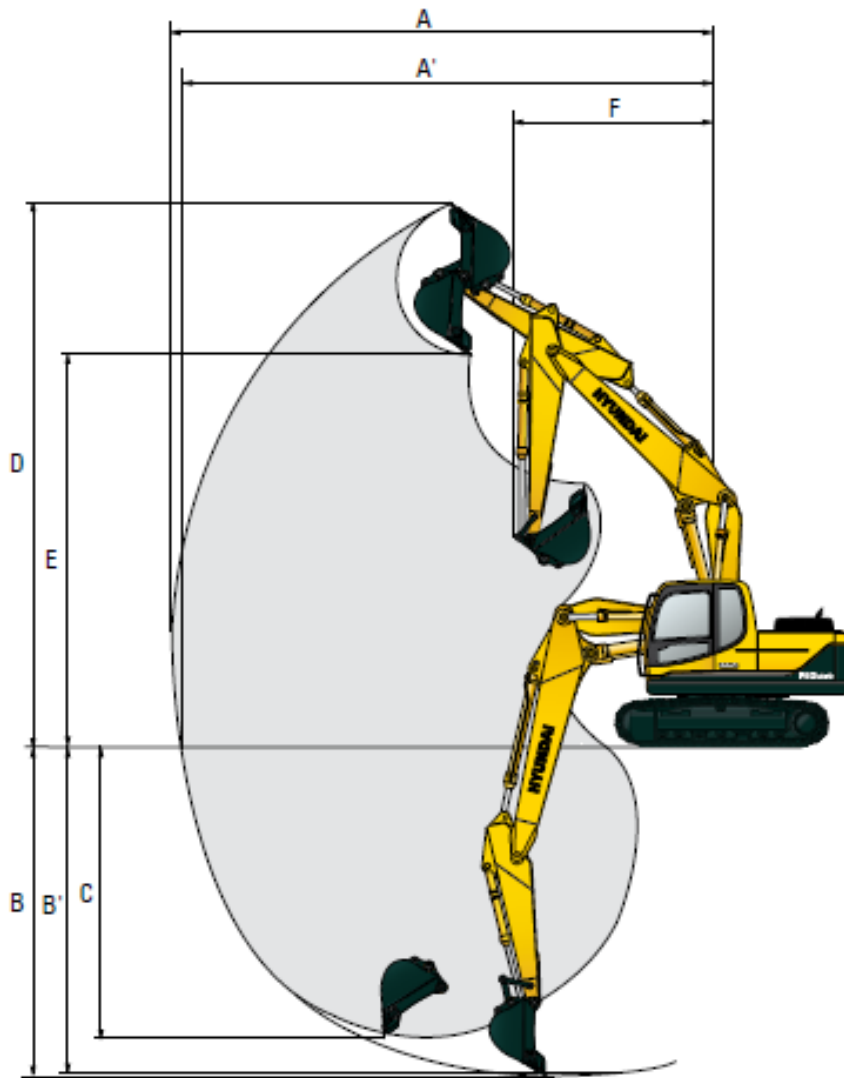
DIMENSIONS

	mm	mm	mm	mm	mm	mm
A Tumbler distance	3,000					
B Overall length of crawler	3,750					
C Ground clearance of counterweight	940					
D Tail swing radius	2,330					
D' Rear-end length	2,330					
E Overall width of upper structure	2,500					
F Overall height of cab	2,860					
G Min. ground clearance	440					
H Track gauge	2,000					
Boom length			4,600		4,100	
Arm length	1,900	2,100	2,500	3,000	1,900	2,100
I Overall length	7,820	7,850	7,820	7,790	7,320	7,350
J Overall height of boom	2,650	2,760	2,780	3,110	2,600	2,790
K Track shoe width		500		600		700
L Overall width		2,500		2,600		2,700

Call 01304 840845

OVENDEN

DIG IT > LOAD IT > CLEAR IT > MOVE IT



DIMENSIONS

			4,600				4,100	
	Boom length	mm						
	Arm length	mm	1,900	2,100	2,500	3,000	1,900	2,100
A	Max. digging reach	mm	7,750	7,920	8,330	8,790	7,260	7,420
A'	Max. digging reach on ground	mm	7,600	7,770	8,180	8,650	7,090	7,260
B	Max. digging depth	mm	4,950	5,150	5,550	6,050	4,540	4,740
B'	Max. digging depth (8' level)	mm	4,680	4,900	5,340	5,870	4,280	4,490
C	Max. vertical wall digging depth	mm	4,650	4,900	5,330	5,850	4,240	4,350
D	Max. digging height	mm	8,100	8,180	8,500	8,780	7,700	7,770
E	Max. dumping height	mm	5,670	5,750	6,060	6,330	5,260	5,340
F	Min. swing radius	mm	2,630	2,670	2,650	2,680	2,350	2,460

Call 01304 840845

OVENDEN

DIG IT > LOAD IT > CLEAR IT > MOVE IT