

E80 Bobcat Compact Excavator



ENGINE

Engine Make / Model	Yanmar/4TNV98-ZWDB8
Fuel / Cooling	Diesel / Liquid (Propylene Glycol & water mixture)
Horsepower @ rated RPM	57.0 HP (42.5 kW) @ 2200 rpm
Horsepower (Net)	53.5 HP (39.9 kW) @ 2200 rpm
Torque, @ Rated RPM	164.5 ft-lb (223 Nm) @ 1200 rpm
Number of Cylinders	4
Displacement	202.5 cu. In. (3.32 L)
Crankcase Ventilation	Closed Breather
Lubrication	Pressure System w/ Filter
Oil Filter	Cartridge Type - Full Flow
Air Filter	Dual Element, Dry Replaceable Paper Cartridge
Alternator	12V - 60A
Battery	12V - 750 CCA @ 0°F (-18 C)
Starter	12V - 4.0 HP (3.0 kW) w/ Gear Reduction

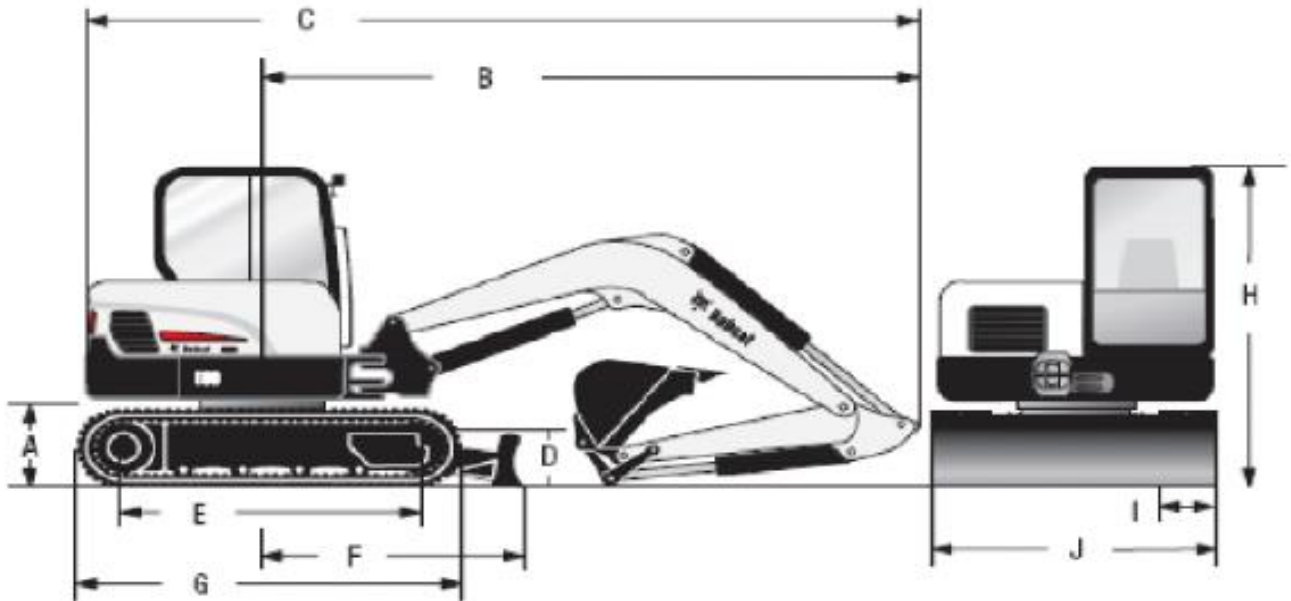
OPERATING SPECIFICATIONS

Operating Weight	Canopy, standard arm, rubber tracks, bucket	18689 lb (8477 kg) + 110 lb (55 kg)
Ground Pressure	w/ standard 17.7" (450 mm) rubber tracks	5.7 psi (39.0 kPa)
Ground Pressure	w/ optional 17.7" (450 mm) steel tracks	5.7 psi (39.0 kPa)

Call 01304 840845

OVENDEN

DIG IT > LOAD IT > CLEAR IT > MOVE IT



DIMENSIONS

A	Clearance – upper structure to groundline	737mm
B	Min radius in transport position	4,797mm
C	Overall Length in transport position	6,167mm
D	Blade Height	446mm
E	Length of Track on Ground	2,200mm
F	Machine Centreline to Blade	1,912mm
G	Overall Length of track assembly	2,823mm
H	Canopy Height	2,700mm
I	Track Width (rubber)	450mm
J	Blade Width, Standard Blade	2,300mm

OPERATING SPECIFICATIONS

Pump Type / Number	Piston-Variable Displacement, Load Sensing
Pump Capacity	43.8 gpm (166 L/min)
System Relief Setting	4279 psi (295 Bar)
Auxiliary Relief	3046 psi (210 Bar)

CAPACITIES

Fuel Tank	29.1 gal (110.0 l)
Cooling System	2.6 gal (10.0 L)
Engine Oil & Filter	12.3 qts. (11.6 L)
Hydraulic Tank	23.0 gal (87.0 L)

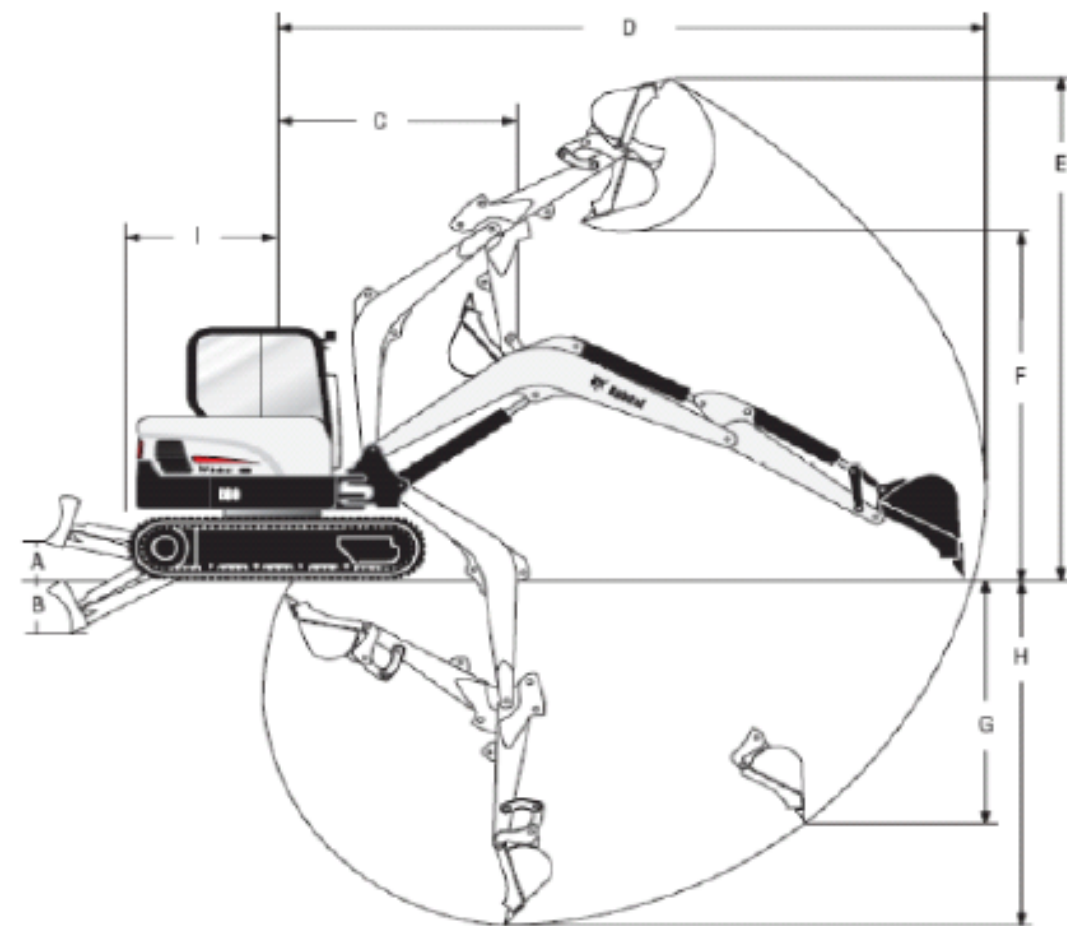
PERFORMANCE

Arm Breakout Force - Std	7659 lb-f (34068 N)
Bucket Breakout Force	12280 lb-f (54623 N)
Travel Speed - Low Range	1.8 mph (2.9 km/hr)
Travel Speed - High Range	2.9 mph (4.6 km/hr)
Boom Swing - L / R	70° L / 55° R
Slew Speed	9.8 rpm

Call 01304 840845

OVENDEN

DIG IT > LOAD IT > CLEAR IT > MOVE IT



DIMENSIONS		
A	Max Blade Height	446mm
B	Max Blade Depth	304mm
C	Max working equipment radius, arm retracted	2,700mm
D	Max radius of work equipment	7,480mm
E	Max bucket tooth height	7,070mm
F	Max dump height	5,085mm
G	Max depth of vertical wall dig depth	3,730mm
H	Max dig depth	4,675mm
I	Swing Clearance, rear of upperstructure	1,298mm
	Tail Swing Overhang	148mm

Call 01304 840845