

DX27z

Hydraulic Excavator



ENGINE

Model	Yanmar, 3TNV82A-SDB
Number of cylinders / Piston displacement	3 / 1.331 cc
Nominal flywheel power	15,8 kW (21,5 Ps) at 2.200 rpm
	15,8 kW (21,2 Hp) at 2.200 rpm
Max torque	8,97 kgf.m (88 Nm) at 1.000 rpm
Bore & stroke	82 mm x 84 mm
Alternator	12 V / 40 Ah

DRIVE

Travel speed (high/low)	4,3/2,4 km/h
Maximum traction force	2.400 kgf
Maximum grade	30° / 58 %

SWING MECHANISM

Swing speed	9,63 rpm
Rear swing radius	760 mm

WEIGHT

Boom	2.000 mm
Bucket SAE	0,08 m3
Shoe	300 mm
Arm	1.100 mm
Operating weight	2.790 kg
Ground pressure	0,27 kgf/cm2

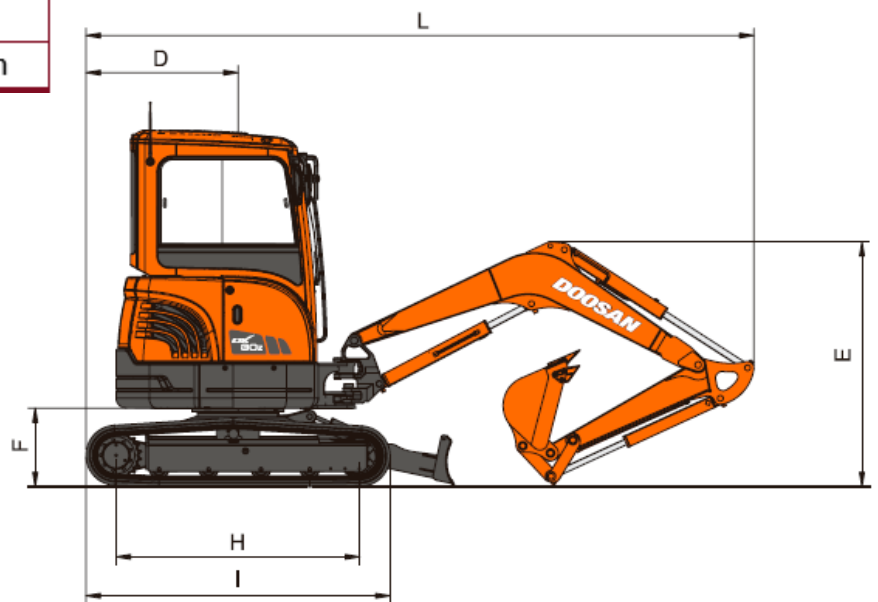
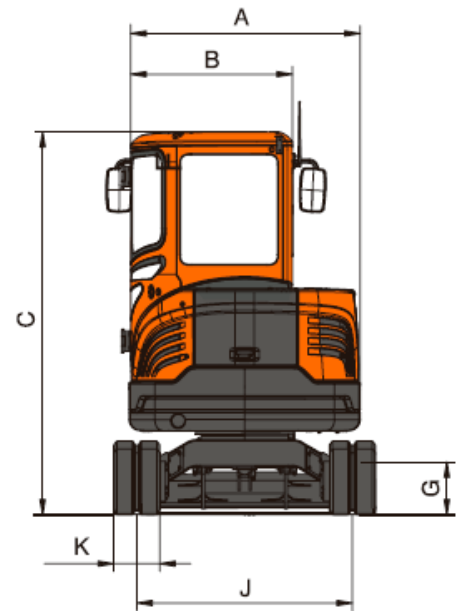
Call 01304 840845

OVENDEN

DIG IT > LOAD IT > CLEAR IT > MOVE IT

DIMENSIONS

Boom type	2.000 mm
Arm type	1.100 mm
A Overall width of upper structure	1.440 mm
B Overall width of cabin	1.030 mm
C Overall height of cabin	2.445 mm
D Tail swing radius	760 mm
E Boom transport height	1.488 mm
F Clearance under counterweight	520 mm
G Ground clearance	440 mm
H Tumbler distance	1.550 mm
I Track length	1.970 mm
J Track gauge	1.270 mm
K Track shoe width	300 mm
L Overall length	4.060 mm



HYDRAULIC SYSTEM

Main pumps	2 variable displacement axial piston pumps
Max flow	2 x 26,4 l/min + 18,9 l/min
Pilot pump	
Gear pump - max flow	11,2 l/min
Boom/Arm/Bucket	220 kgf/cm ² (215 bar)
Travel	220 kgf/cm ² (215 bar)
Swing	170 kgf/cm ² (167 bar)

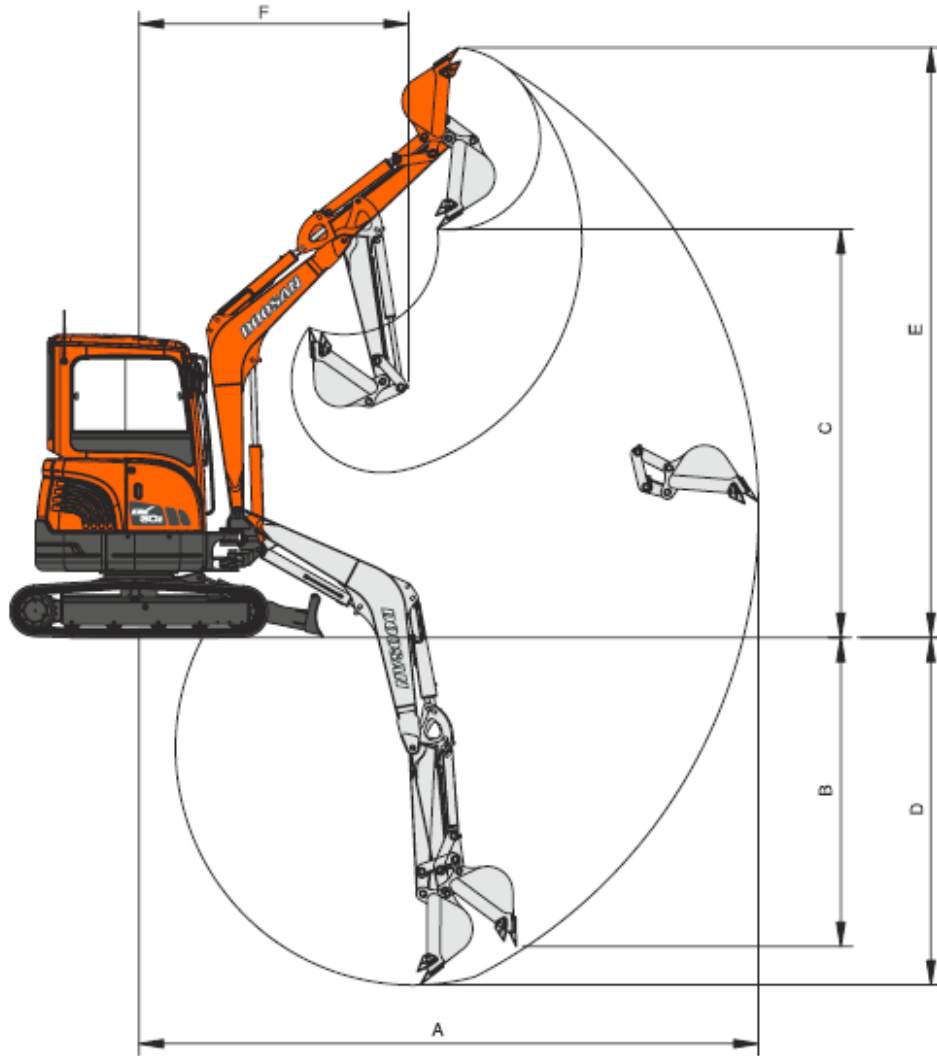
DIGGING FORCE (ISO)

Bucket (PCSA)	0,08 m ³
Digging force	2.020 kgf
Arm	1.100 mm 1.300 mm
Digging force	1.400 kgf

Call 01304 840845

OVENDEN

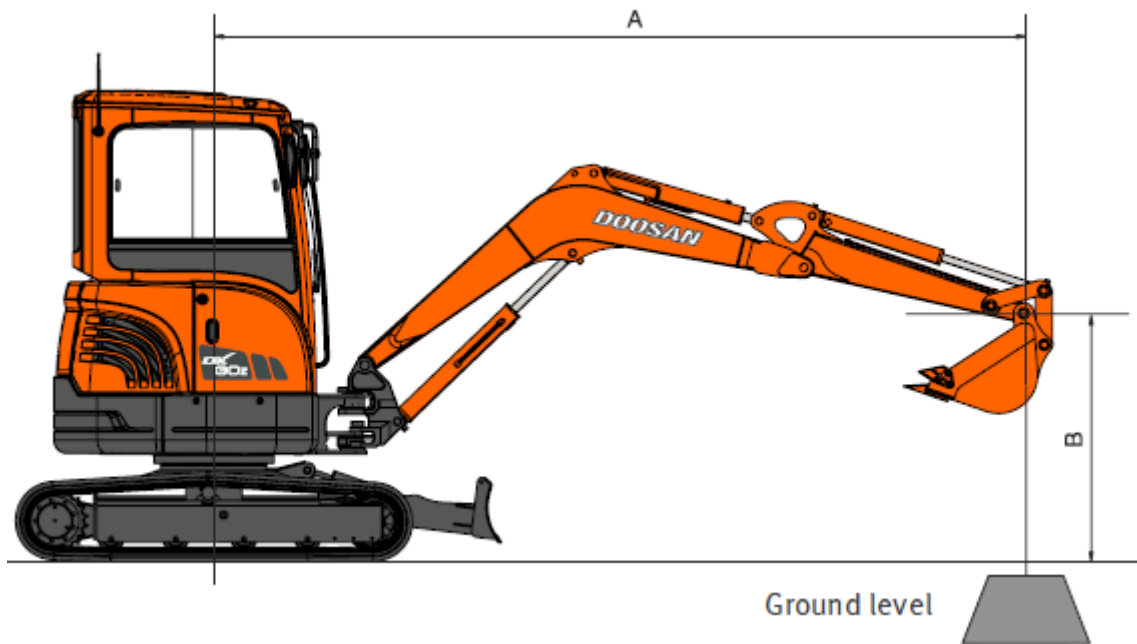
DIG IT > LOAD IT > CLEAR IT > MOVE IT



DIMENSIONS

Boom Length		2,000mm
Arm Length		1,300mm
Bucket capacity		0.08m ³
A	Max digging reach	4,690mm
B	Max vertical wall	2,500mm
C	Max loading height	2,690mm
D	Max digging depth	2,935mm
E	Max digging height	4,280mm
F	Min swing radius	1,985mm

Call 01304 840845



WORKING RANGE

OPTION — Boom: 2000 mm - Arm: 1300 mm - Bucket: SAE 0,08 m³ (CECE 0,07 m³) - Shoe: 300 mm

Units: 1000 kg

A (m)	2		2.5				3				3.5				Max. reach							
	Dozer up		Dozer down		Dozer up		Dozer down		Dozer up		Dozer down		Dozer up		Dozer down		Dozer up		Dozer down			
																			A (m)			A (m)
3.5																	*0.53	0.53	2.76	*0.53	0.53	2.76
3									*0.49	0.47	*0.59	0.47					0.49	0.41	3.27	*0.53	0.41	3.27
2.5									*0.49	0.47	*0.49	0.47	0.44	0.36	*0.53	0.36	0.41	0.34	3.61	*0.54	0.34	3.61
2									*0.55	0.47	*0.55	0.47	0.44	0.36	*0.54	0.36	0.37	0.31	3.82	*0.55	0.31	3.82
1.5	*0.98	0.88	*0.98	0.88	0.74	0.61	*0.75	0.61	0.55	0.46	*0.65	0.46	0.43	0.36	*0.59	0.36	0.35	0.29	3.95	*0.57	0.29	3.95
1	1.04	0.84	*1.12	0.84	0.72	0.60	*0.96	0.60	0.54	0.45	*0.76	0.45	0.43	0.35	*0.65	0.35	0.35	0.29	3.99	*0.59	0.29	3.99
0.5	1.01	0.81	*1.48	0.81	0.71	0.58	*1.12	0.58	0.53	0.44	*0.85	0.44	0.42	0.35	*0.70	0.35	0.35	0.29	3.95	*0.61	0.29	3.95
0 (ground)	1.00	0.80	*1.65	0.80	0.70	0.57	*1.20	0.57	0.53	0.44	*0.90	0.44	0.42	0.35	*0.73	0.35	0.36	0.30	3.83	*0.64	0.30	3.83
-0.5	1.00	0.80	*1.71	0.80	0.70	0.57	*1.20	0.57	0.53	0.43	*0.91	0.43	0.42	0.35	*0.71	0.35	0.40	0.33	3.61	*0.67	0.33	3.61
-1	1.01	0.81	*1.56	0.81	0.70	0.57	*1.12	0.57	0.53	0.44	*0.84	0.43					0.46	0.38	3.28	*0.70	0.38	3.28
-1.5	1.02	0.82	*1.27	0.82	0.71	0.58	*0.90	0.58									0.60	0.50	2.78	*0.73	0.50	2.78

Call 01304 840845

OVENDEN
DIG IT > LOAD IT > CLEAR IT > MOVE IT