

Volvo A30C

Dump Truck

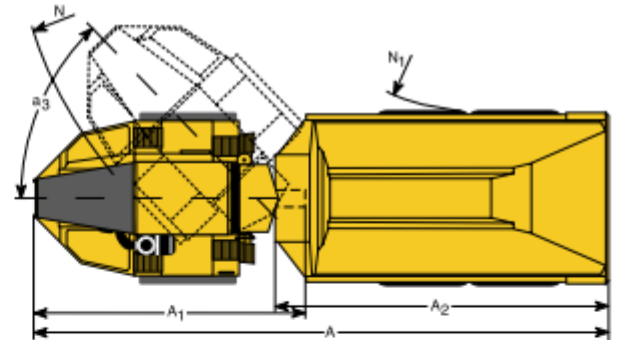
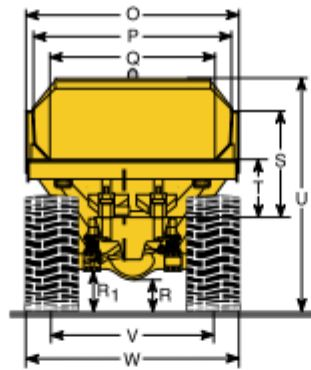
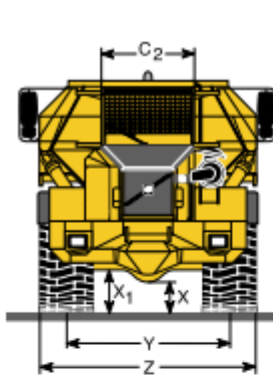
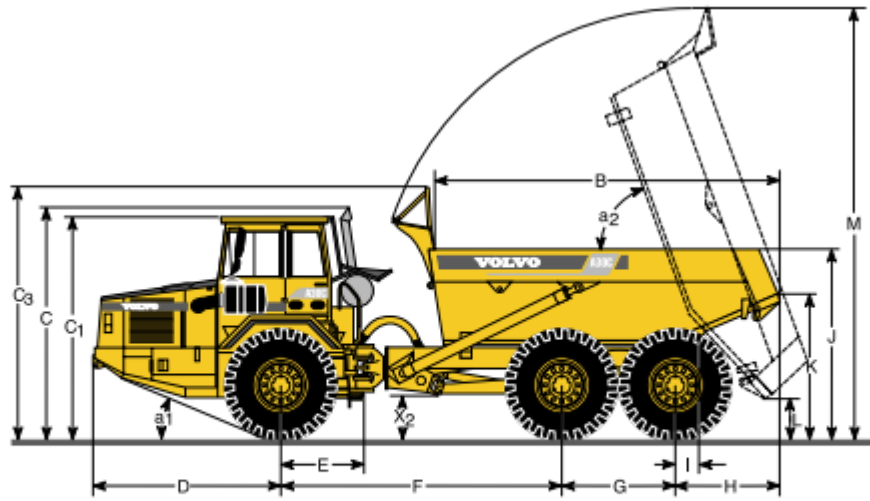


ENGINE	
Make	Volvo
Model	TD104 KAE
Max power at	36,7 r/s 2200 rpm
SAE J1349 Gross	235 kW 315 hp
Flywheel power at	36,7 r/s 2200 rpm
SAE J1349 Net	232 kW 311 hp
DIN 6271*	232 kW 311 hp
Max torque at	18,3 r/s 1100 rpm
SAE J1349 Gross	1460 Nm 1077 lbf ft
SAE J1349 Net	1455 Nm 1073 lbf ft
DIN6271**	1455 Nm 1073 lbf ft
Displacement total	9,6 l 586 in3

STEERING SYSTEM	
Hydromechanical articulated steering with mechanical feedback. 3,4 turns lock to lock.	
Cylinders	Two double-acting steering cylinders
Supplementary Steering	Standard. Complies with the ISO 5010 standard at total machine weight
Steering angle	+/-45degrees

Call 01304 840845

OVENDEN
DIG IT > LOAD IT > CLEAR IT > MOVE IT



A	10200 mm	33'6"	D	2770 mm	9'1"	N	8047 mm	26'5"	V	2216 mm	7'3"
A ₁	4862 mm	15'11"	E	1210 mm	4'	N ₁	4021 mm	13'2"	W	2820 mm	9'3"
A ₂	5856 mm	19'3"	F	4173 mm	13'8"	O	2932 mm	9'7"	W*	2980 mm	9'9"
B	5167 mm	16'11"	G	1670 mm	5'6"	P	2720 mm	8'11"	X	485 mm	1'7"
C	3410 mm	11'2"	H	1587 mm	5'2"	Q	2286 mm	7'6"	X ₁	522 mm	1'8"
C ₁	3260 mm	10'8"	I	430 mm	1'5"	R	530 mm	1'9"	X ₂	670 mm	2'2"
C ₂	1331 mm	4'4"	J	2834 mm	9'4"	R ₁	567 mm	1'10"	Y	2216 mm	7'3"
C ₃	3802 mm	12'6"	K	2180 mm	7'2"	S	1464 mm	4'10"	Z	2820 mm	9'3"
	with optional spill guard in upright position		L	594 mm	1'11"	T	810 mm	2'8"	Z*	2980 mm	9'9"
			M	6494 mm	21'4"	U	3305 mm	10'10"	a ₁	23°	
								a ₂	70°		
								a ₃	45°		

* with tires 30/65 R 25

LOAD CAPACITY

US body load capacity	27000 kg	30 sh tn
Body, struck	12,9 m ³	16.9 yd ³
heaped	16,5 m ³	21.6 yd ³
With overhung tailgate (optional)		
Body, struck	13,2 m ³	17.3 yd ³
heaped	17,2 m ³	22.5 yd ³

Call 01304 840845

OVENDEN

DIG IT > LOAD IT > CLEAR IT > MOVE IT

WEIGHTS

Operating weight with tyres 23.5 R 25

Front	11500 kg	25,350 lb
Rear	9400 kg	20,720 lb
Total	20900 kg	46,080 lb
Payload	27000 kg	59,520 lb
Total weight		
Front	15250 kg	33,620 lb
Rear	32650 kg	71,980 lb

DRIVETRAIN

Type

Torque converter Single stage with free-wheeling stator and automatic lock-up in all ranges.
2:36:1

Transmission Electronically controlled, fully automatic planetary transmission with six gears forward and two in reverse.

Volvo PT 1663

Dropbox Volvo FL 650B

Axles Volvo AH 63

Speeds with tyres 30/65 R 25 and 23.5 R 25

Max. travel speeds	Forward	Reverse
1	8,2 km/h 5.1 mph	7,6 km/h 4.7 mph
2	11,9 km/h 7.4 mph	13,1 km/h 8.1 mph
3	21,5 km/h 13.4 mph	
4	31,1 km/h 19.3 mph	
5	39,5 km/h 24.5 mph	
6	52,3 km/h 32.7 mph	