

Hitachi ZX135US - 5

Hydraulic Excavator



ENGINE	
Mode	Isuzu AM-4JJ1X
Type	4-cycle water-cooled, common rail direct injection
Aspiration	Variable geometry turbocharged, intercooled, cooled EGR
After treatment	Muffler filter
No. of cylinders	4
Rated power	
ISO 9249, net	73.4 kW (98 HP) at 2 000 min ⁻¹ (rpm)
EEC 80/1269, net	73.4 kW (98 HP) at 2 000 min ⁻¹ (rpm)
SAE J1349, net	73.4 kW (98 HP) at 2 000 min ⁻¹ (rpm)
Maximum torque	374 Nm (38.1 kgfm) at 1 600 min ⁻¹ (rpm)
Piston displacement	2.999 L
Bore and stroke	95.4 mm x 104.9 mm
Batteries	2 x 12 V / 58 Ah

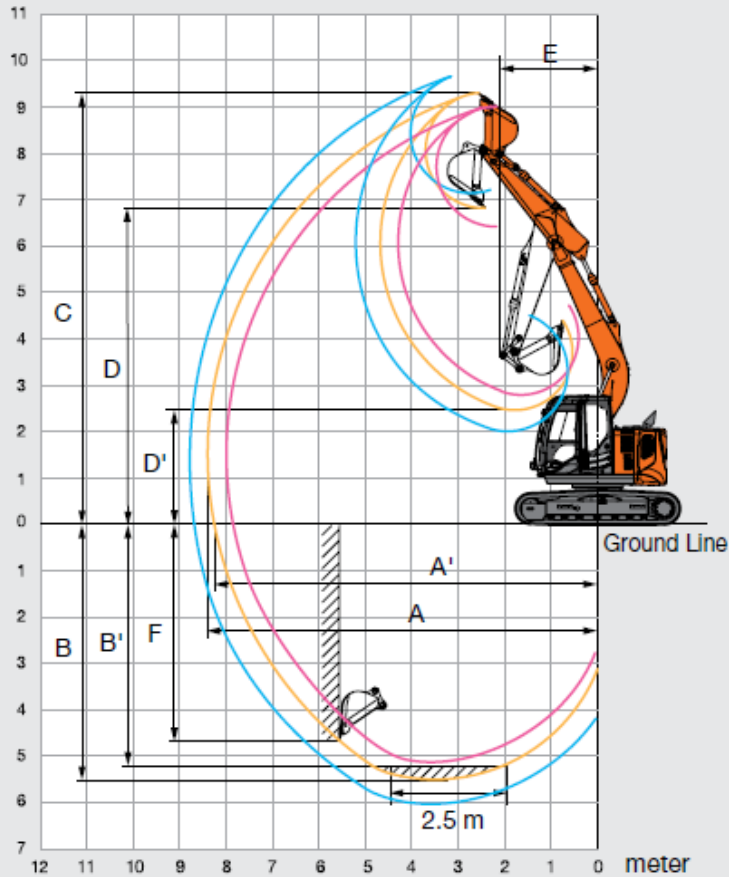
Call 01304 840845

OVENDEN
DIG IT > LOAD IT > CLEAR IT > MOVE IT

DIMENSIONS

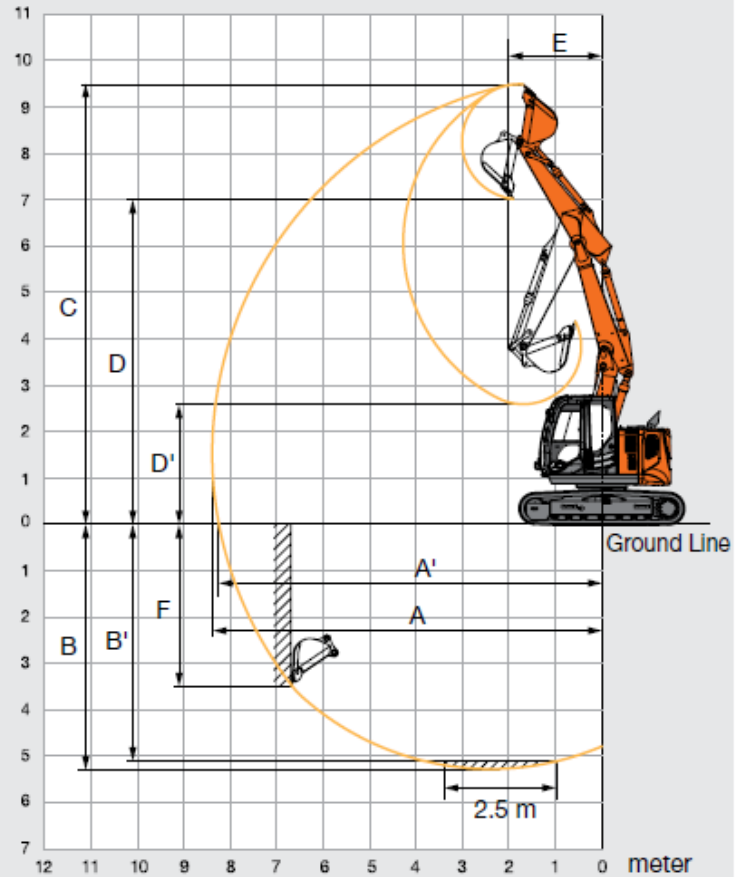
MONOBLOCK BOOM

meter



2-PIECE BOOM

meter



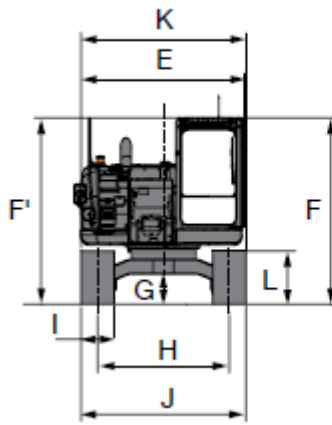
	ZAXIS 135US			
	Monoblock boom			2-Piece boom
Arm length	2.10 m	2.52 m	3.01 m	2.52 m
A Max. digging reach	8 020	8 390	8 860	8 380
A' Max. digging reach (on ground)	7 870	8 240	8 720	8 240
B Max. digging depth	5 070	5 490	5 980	5 250
B' Max. digging depth (2.5 m level)	4 820	5 270	5 790	5 120
C Max. cutting height	9 020	9 290	9 690	9 480
D Max. dumping height	6 550	6 830	7 220	7 020
D' Min. dumping height	2 870	2 470	2 080	2 600
E Min. swing radius	2 000	2 110	2 450	1 920
F Max. vertical wall digging depth	4 430	4 730	5 190	3 530

Excluding track shoe lug

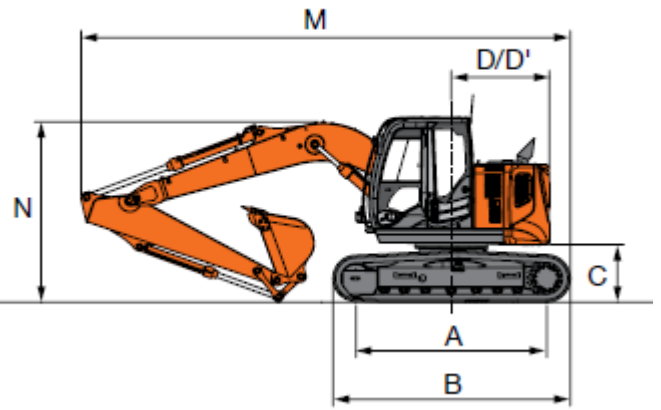
Call 01304 840845

OVENDEN

DIG IT > LOAD IT > CLEAR IT > MOVE IT

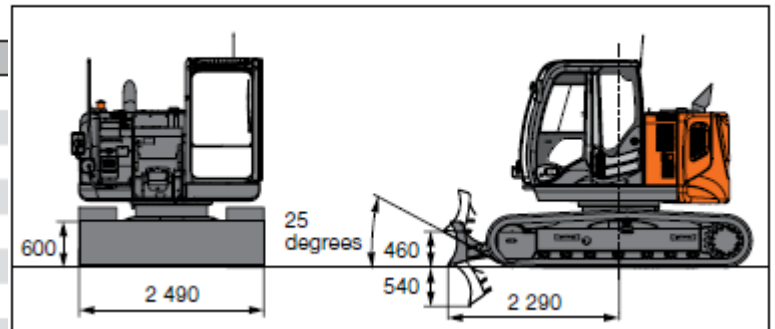


MONOBLOCK BOOM



BLADE (OPTIONAL)

Unit: mm



ZAXIS 135US	
A Distance between tumblers	2 880
B Undercarriage length	3 580
* C Counterweight clearance	840
D Rear-end swing radius	1 490
D' Rear-end length	1 490
E Overall width of upperstructure	2 480
F Overall height of cab	2 790
F' Over height of upperstructure	2 790
* G Min. ground clearance	410
H Track gauge	1 990
I Track shoe width	G 500
J Undercarriage width	2 490
K Overall width	2 490
L Track height with triple grouser shoes	790

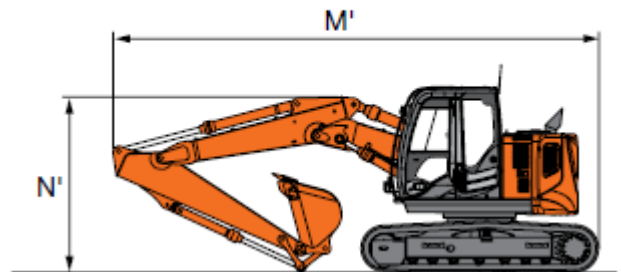
MONOBLOCK BOOM

M Overall length	
With 2.10 m arm	7 360
With 2.52 m arm	7 370
With 3.01 m arm	7 390
* N Overall height of boom	
With 2.10 m arm	2 790
With 2.52 m arm	2 790
With 3.01 m arm	2 780

2-PIECE BOOM

M' Overall length	
With 2.10 m arm	-
With 2.52 m arm	7 310
With 3.01 m arm	-
* N' Overall height of boom	
With 2.10 m arm	-
With 2.52 m arm	2 640
With 3.01 m arm	-

2-PIECE BOOM



Call 01304 840845

OVENDEN

DIG IT > LOAD IT > CLEAR IT > MOVE IT

ENGINE	
Mode	Isuzu AM-4JJ1X
Type	4-cycle water-cooled, common rail direct injection
Aspiration	Variable geometry turbocharged, intercooled, cooled EGR
After treatment	Muffler filter
No. of cylinders	4
Rated power	
ISO 9249, net	73.4 kW (98 HP) at 2 000 min ⁻¹ (rpm)
EEC 80/1269, net	73.4 kW (98 HP) at 2 000 min ⁻¹ (rpm)
SAE J1349, net	73.4 kW (98 HP) at 2 000 min ⁻¹ (rpm)
Maximum torque	374 Nm (38.1 kgfm) at 1 600 min ⁻¹ (rpm)
Piston displacement	2.999 L
Bore and stroke	95.4 mm x 104.9 mm
Batteries	2 x 12 V / 58 Ah

HYDRAULIC PUMPS	
Main pumps	2 variable displacement axial piston pumps
Maximum oil flow	2 x 117 L/min
Pilot pump	1 gear pump
Maximum oil flow	33.6 L/min
Hydraulic Motors	
Travel	2 variable displacement axial piston motors
Swing	1 axial piston motor
Relief Valve Settings	
Implement circuit	34.3 MPa (350 kgf/cm ²)
Swing circuit	32.3 MPa (330 kgf/cm ²)
Travel circuit	34.3 MPa (350 kgf/cm ²)
Pilot circuit	4.0 MPa (40.8 kgf/cm ²)
Power boost	36.3 MPa (370 kgf/cm ²)

UNDERCARRIAGE			
Tracks			
Heat-treated connecting pins with dirt seals. Hydraulic (grease) track adjusters with shock-absorbing recoil springs.			
Numbers of Rollers and Shoes on Each Side:			
Upper rollers	1	Lower rollers	7
Track shoes	44		
Travel Device			
Each track driven by 2-speed axial piston motor.			
Parking brake is spring-set/hydraulic-released disc type.			
Automatic transmission system:	High-Low.		
Travel speeds	High : 0 to 5.5 km/h	Low : 0 to 3.3 km/h	
Maximum traction force	117 kN (11 900 kgf)		
Gradeability	70% (35 degree) continuous		

Call 01304 840845

OVENDEN
DIG IT > LOAD IT > CLEAR IT > MOVE IT