

JCB Loadall 533-105

Telescopic Handler

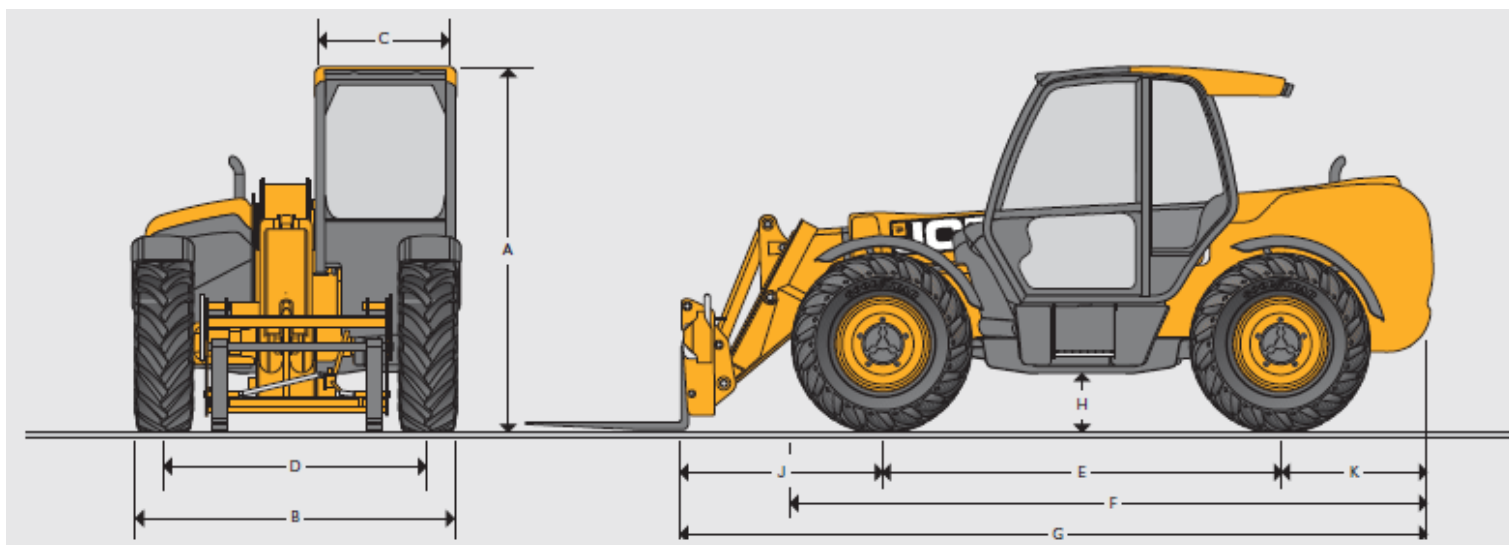


HYDRAULICS		
Machine model		533-105
Operating system pressure	bar	214
Flow at system pressure @ 2200rpm	ltr	82
HYDRAULIC CYCLE TIMES		Seconds
Boom raise		8.8
Boom lower		8.5
Extend		13.2
Retract		13.6
Bucket dump		2.4
Bucket crowd		3.4
ENGINE		JCB EcoMAX T4i/IIIB
Displacement	ltr	4.4
No. of cylinders		4
Aspiration		Turbocharged cooled
Power rating @ 2200rpm	kW (hp)	55 (75)
Torque rating @ 1300rpm	Nm	400

Call 01304 840845

OVENDEN

DIG IT > LOAD IT > CLEAR IT > MOVE IT



DIMENSIONS

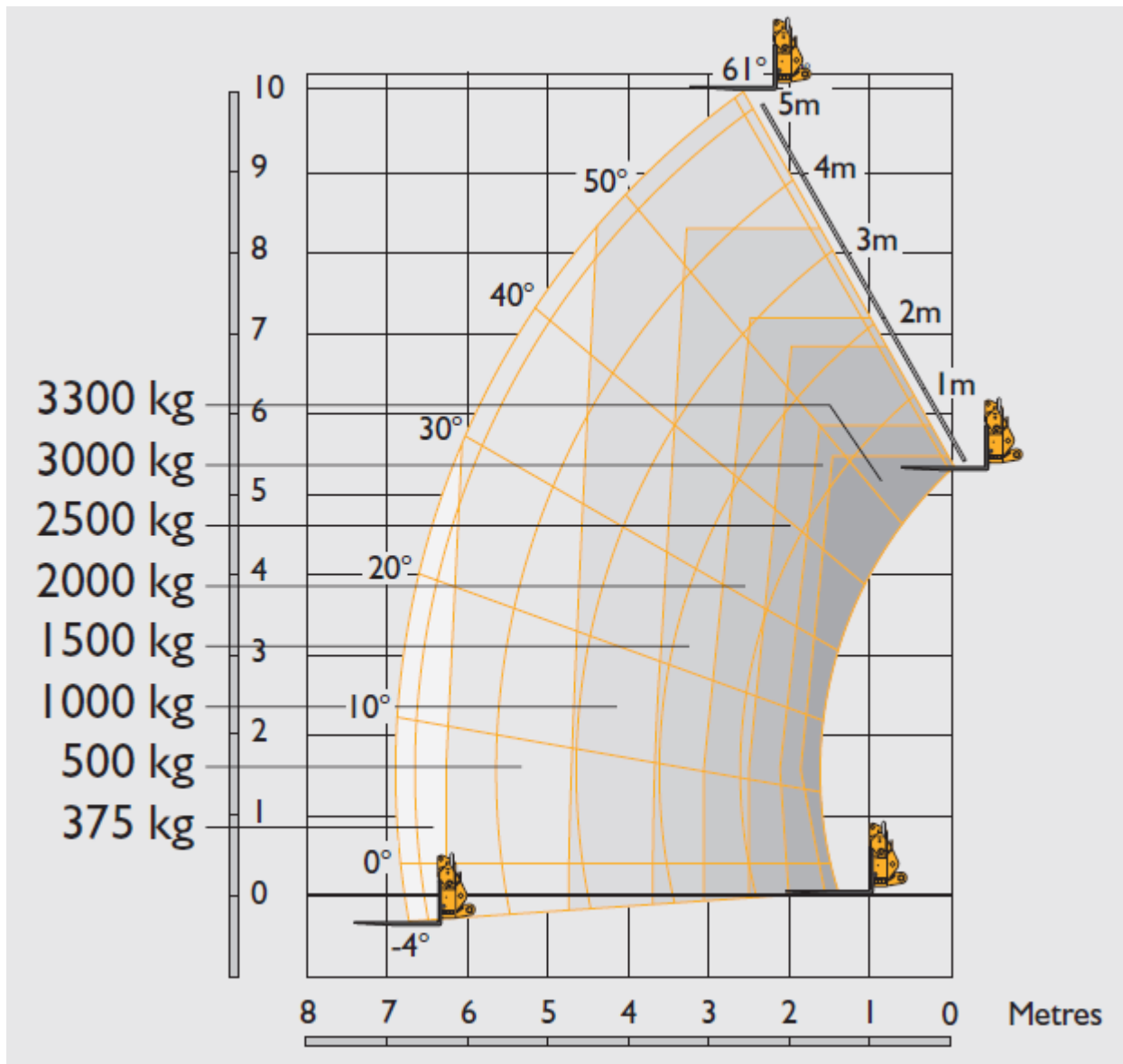
Machine model 533-105

		Unit	
A	Overall height	m	2.49
B	Overall width (over tyres)	m	2.36
C	Inside width of cab	m	0.94
D	Front track	m	1.87
E	Wheel base	m	2.75
F	Overall length to front of tyres	m	4.38
G	Overall length to front of carriage	m	5.38
H	Ground clearance	m	0.4
J	Front wheel centre to carriage	m	1.62
K	Rear wheel centre to rear face	m	1.01
	Overall width with stabilisers fully deployed	m	2.63
	Outside turn radius	m	3.7
	Carriage rollback angle	deg	41.2
	Carriage dump angle	deg	24.0
	Weight	kg	8850

Call 01304 840845

OVENDEN

DIG IT > LOAD IT > CLEAR IT > MOVE IT



LIFT PERFORMANCE

With Stabilisers

Maximum lift capacity	kg	3300
Lift capacity at full height	kg	1000
Lift capacity at full reach	kg	375
Lift height	m	9.85
Reach at max. lift height	m	2.63
Maximum reach forward	m	6.91
Reach with 1 tonne load	m	4.83
Placing height	m	9.44

Call 01304 840845

OVENDEN

DIG IT > LOAD IT > CLEAR IT > MOVE IT