

# DX55

## Hydraulic Excavator



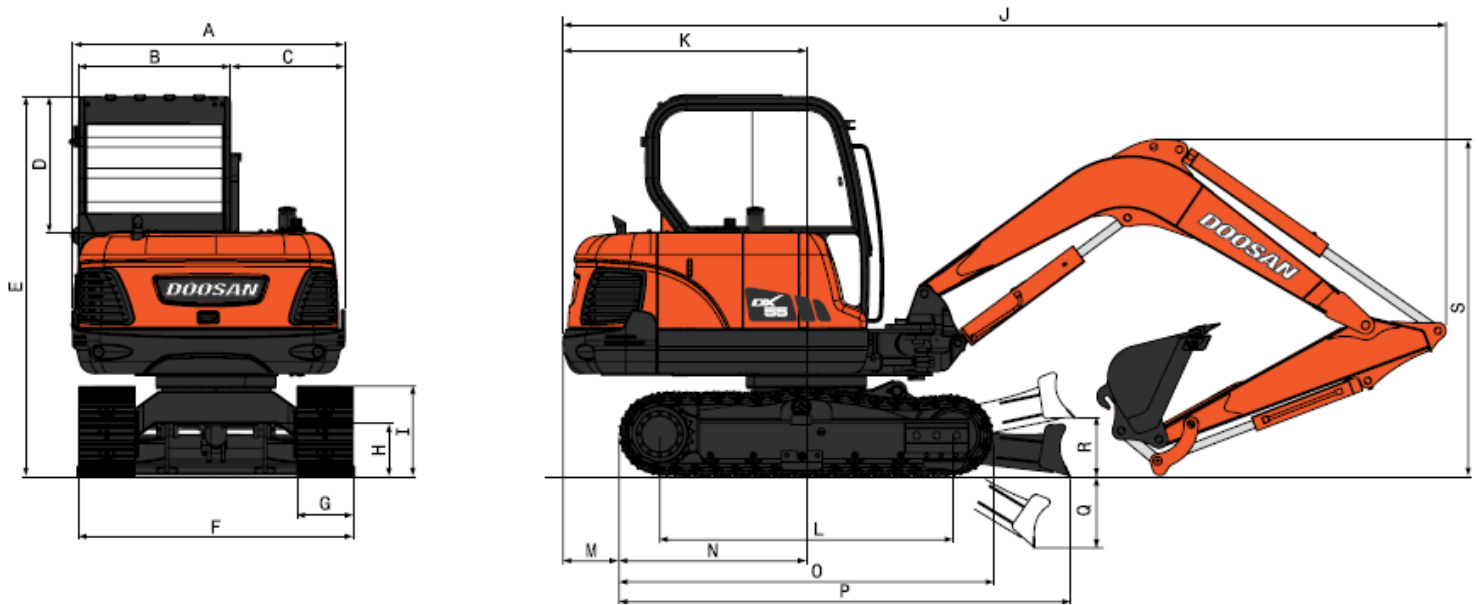
### ENGINE

<b>Model</b>	Yanmar 4TNV98-Z
<b>Aspiration</b>	Turbocharged, air-to-air aftercooled
<b>No of Cylinders</b>	4
<b>Bore x Stroke</b>	98 mm x 110 mm
<b>Piston Displacement</b>	3.319 cc
<b>Nominal flywheel power</b>	41,5 kW (56.4Hp) at 2.000 rpm
<b>Max torque</b>	25,3 kgf.m (248.1 Nm) at 1.300 rpm

Call 01304 840845

**OVENDEN**

DIG IT > LOAD IT > CLEAR IT > MOVE IT



## DIMENSIONS

<b>Boom Length</b>		3,000mm
<b>Arm Length</b>		1,900mm
<b>A</b>	Overall width of upperstructure	1,850mm
<b>B</b>	Cab width	1,075mm
<b>E</b>	Overall height f cab	2,500mm
<b>F</b>	Overall track width	1,880mm
<b>G</b>	Track shoe width	400mm
<b>H</b>	Ground clearance	365mm
<b>I</b>	Track height	590mm
<b>J</b>	Overall length	5,970mm
<b>K</b>	Tail length	1,650mm
<b>L</b>	Tumbler distance	1,990mm
<b>M</b>	Tail to track clearance	400mm
<b>O</b>	Track length	2,500mm
<b>P</b>	Track to dozer length	2,975mm
<b>Q</b>	Height of dozer down	575mm
<b>R</b>	Height of dozer up	350mm
<b>S</b>	Boom Height	2,175mm

## DRIVE

<b>Travel speed (high/low)</b>	4/2,4 km/hr
<b>Maximum traction force</b>	4.700/2.500 kgf
<b>Maximum grade</b>	35° / 70 %

## WEIGHT

<b>Operating weight</b>	5.600 kg
<b>Ground pressure</b>	0,32 kgf/cm <sup>2</sup>

Call 01304 840845

**OVENDEN**

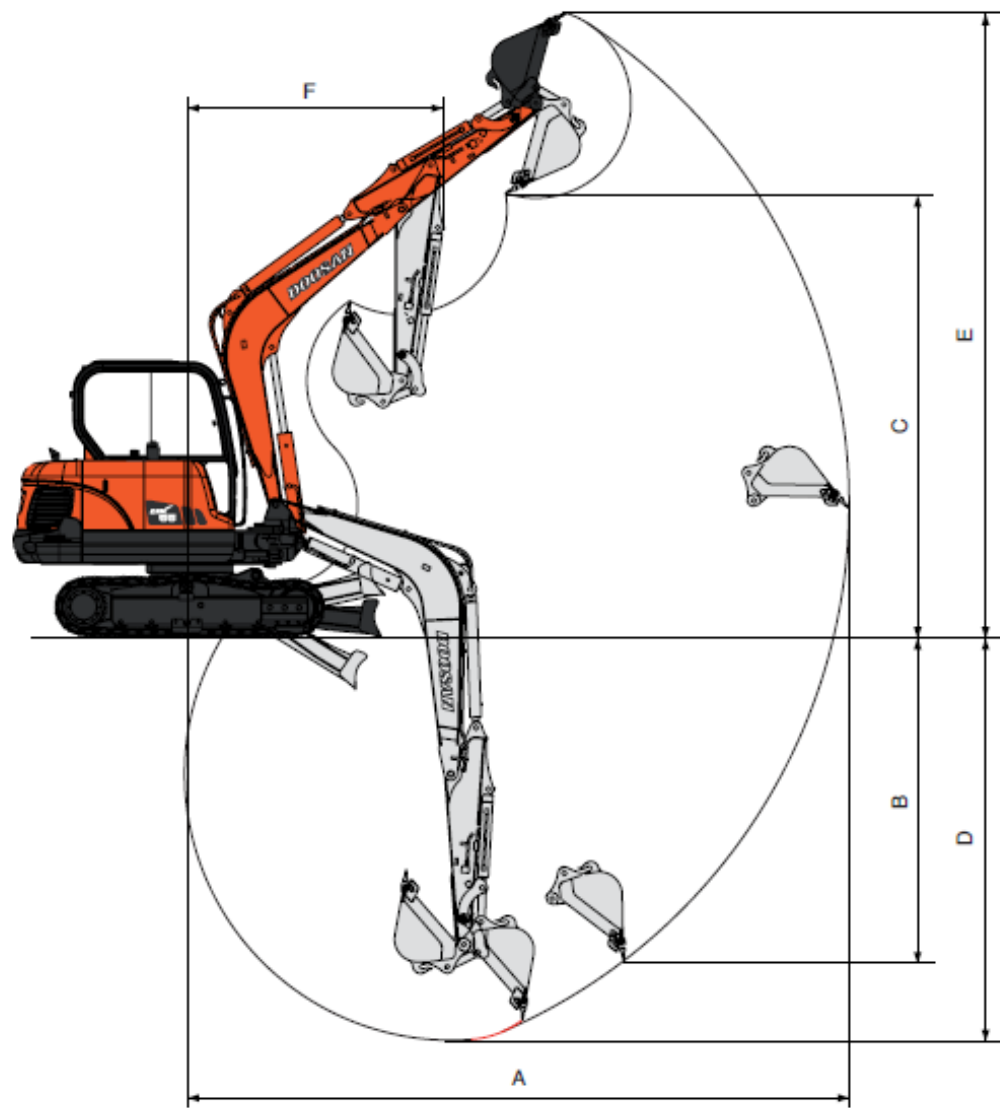
DIG IT > LOAD IT > CLEAR IT > MOVE IT

<b>HYDRAULICS</b>	
<b>Hydraulic system</b>	Variable displacement axial piston tandem type pumps
<b>Main pumps</b>	2 variable displacement axial piston pumps
<b>Pilot pump</b>	Gear pump - max flow: 13 l/min
<b>Maximum system pressure</b>	
<b>Boom/Arm/Bucket:</b>	245 kgf/cm <sup>2</sup> (240 bar)
<b>Travel:</b>	210 kgf/cm <sup>2</sup> (205 bar)
<b>Swing:</b>	210 kgf/cm <sup>2</sup> (205 bar)
<b>SWING MECHANISM</b>	
<b>Swing speed</b>	9,8 rpm
<b>Front / Rear swing radius</b>	2.375 mm / 1.650 mm
<b>Left / Right Swing angle</b>	80° / 50°
<b>Hydraulic system</b>	Variable displacement axial piston tandem type pumps

Call 01304 840845

**OVENDEN**

DIG IT > LOAD IT > CLEAR IT > MOVE IT



DIMENSIONS		
<b>Boom Length</b>		3,000mm
<b>Arm Length</b>		1,900mm
<b>Bucket capacity</b>		0.07m <sup>3</sup>
<b>A</b>	Max digging reach	4,085mm
<b>B</b>	Max vertical wall	3,400mm
<b>C</b>	Max loading height	6,010mm
<b>D</b>	Max digging depth	4,280mm
<b>E</b>	Max digging height	6,450mm
<b>F</b>	Min swing radius	2,380mm

Call 01304 840845