

9 tonne Front-Tip Dumper



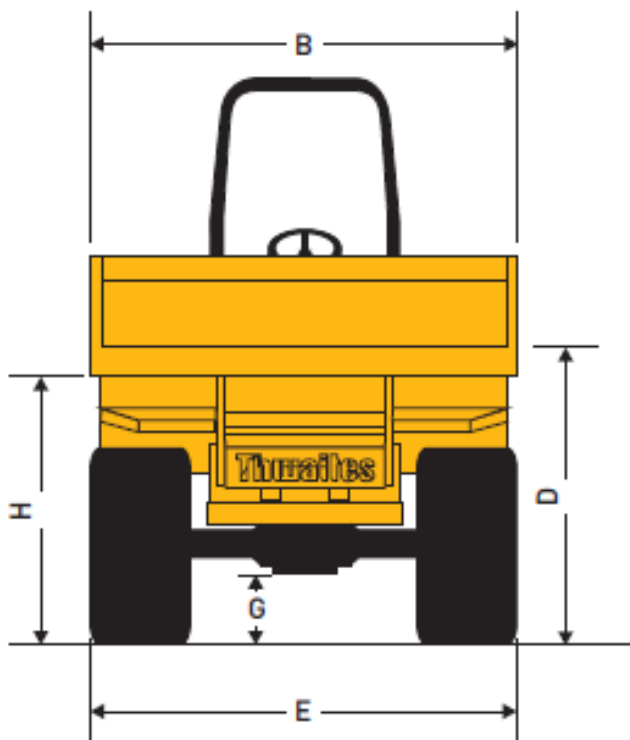
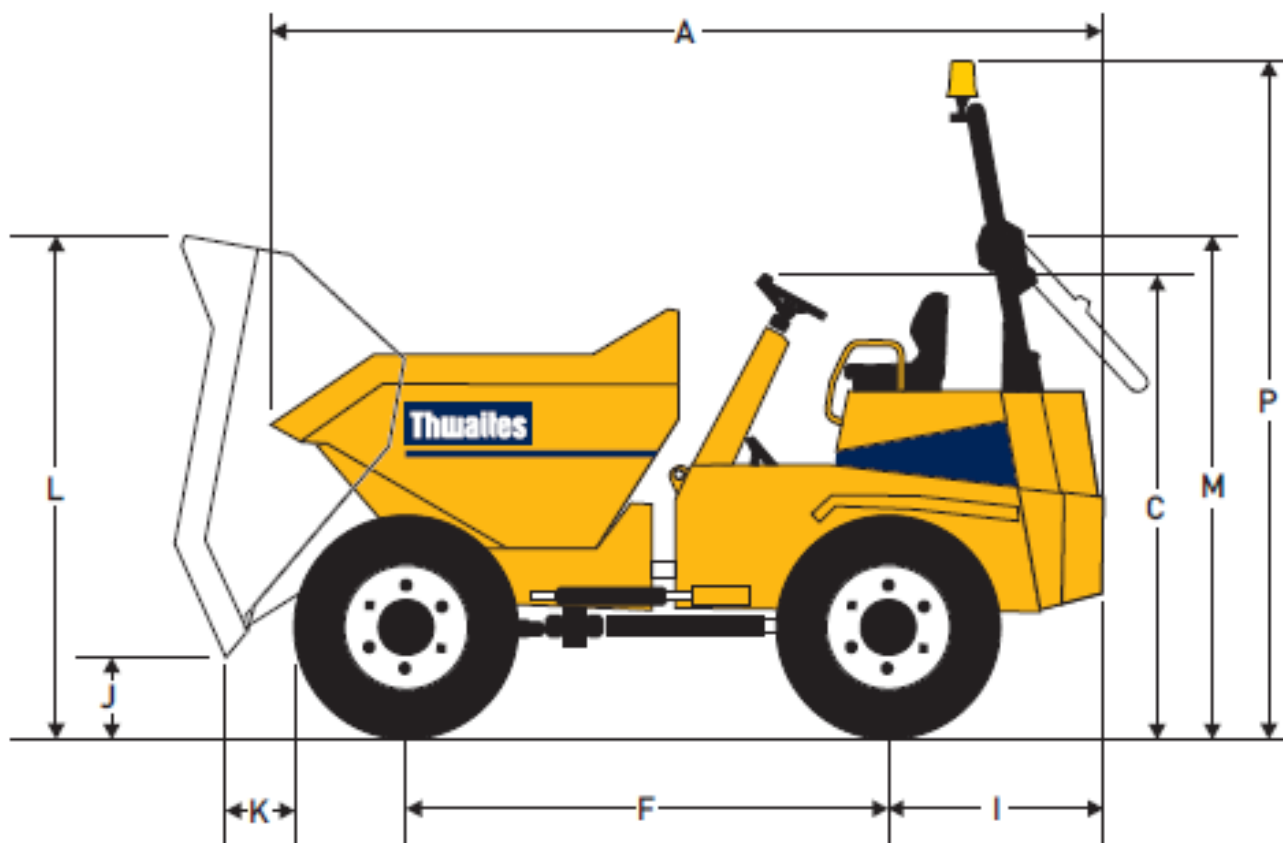
CAPACITIES	
Max. safe load	9000 kg
Heaped	4600 litres
Struck	3830 litres
Water	2155 litres
ENGINE	
	Perkins 1100 D series
Displacement	70kW/94 bhp at 2200 rpm
No. of cylinders	four cylinder turbo charged water-cooled direct-injection diesel
Max Torque	392 Nm
SPEEDS	
	Forward and Reverse
1	5.4 km/h (3.4 mph)
2	8.7 km/h (5.4 mph)
3	16.4 km/h (10.2 mph)
4	30.1 km/h (18.7 mph)
Steering and Hydraulics	Hydraulic priority power steering
Unladen Weight	4715 kg
Clearance diameter	13.5 m

Call 01304 840845

OVENDEN

DIG IT > LOAD IT > CLEAR IT > MOVE IT

DIMENSIONS



	mm		mm
A	4,635	H	1,975
B	2,485	I	1,220
C	2,440	J	436
D	1,740	K	642
E	2,440	L	2,840
F	2,615	M	2,555
G	447	P	3,335

Call 01304 840845

OVENDEN

DIG IT > LOAD IT > CLEAR IT > MOVE IT