

Hiatchi ZX225US LC

Excavator



ENGINE

Manufacturer and Model	Isuzu AI-4HK1XYSA-02
certified to EPA Tier-3 emissions	
Net Power (ISO9249)	159 hp (118 kW) @ 2,000 rpm
Cylinders	4
Displacement	317 cu. in. (5.193 L)
Aspiration	turbocharged, intercooled
Off-Level Capacity	70% (35 deg.)
Batteries	2 x 12 volt

Call 01304 840845

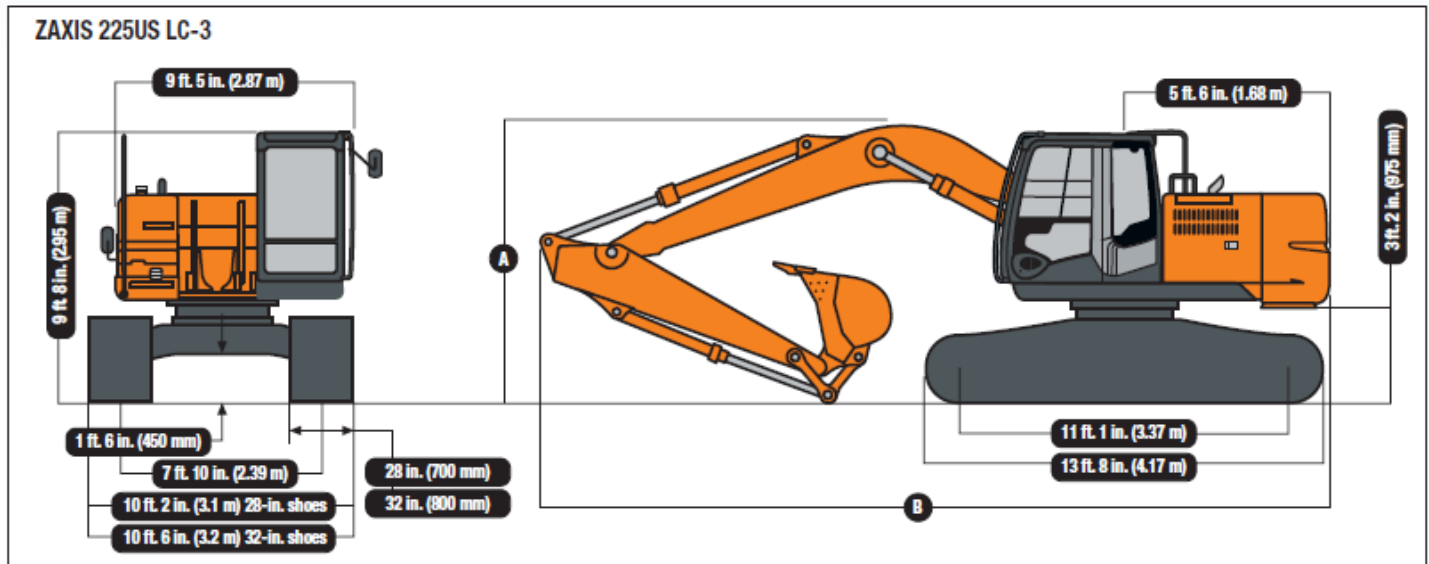
OVENDEN

DIG IT > LOAD IT > CLEAR IT > MOVE IT

DIMENSIONS

A 7-ft. 11-in. (2.42 m) arm 10 ft. 6 in. (3.20 m)
 9-ft. 7-in. (2.91 m) arm 9 ft. 10 in. (2.98 m)

B 7-ft. 11-in. (2.42 m) arm 32 ft. (9.74 m)
 9-ft. 7-in. (2.91 m) arm 31 ft. 7 in. (9.62 m)



HYDRAULIC CYLINDERS

Cylinders	Quantity	Bore x Rod diameter x stroke
Boom	2	120 x 85 x 1,260mm
Arm	1	135 x 95 x 1,475mm
Bucket	1	115 x 80 x 1,060mm

SWING MECHANISM

Swing Speed	0 to 13.3
Swing Torque	50,662 lb.-ft. (68 900 Nm)

TRAIN

Maximum Travel Speed

Low	2.2 mph (3.5 km/h)
High	3.4 mph (5.5 km/h)
Drawbar Pull	45,636 lb. (20 719 kg)

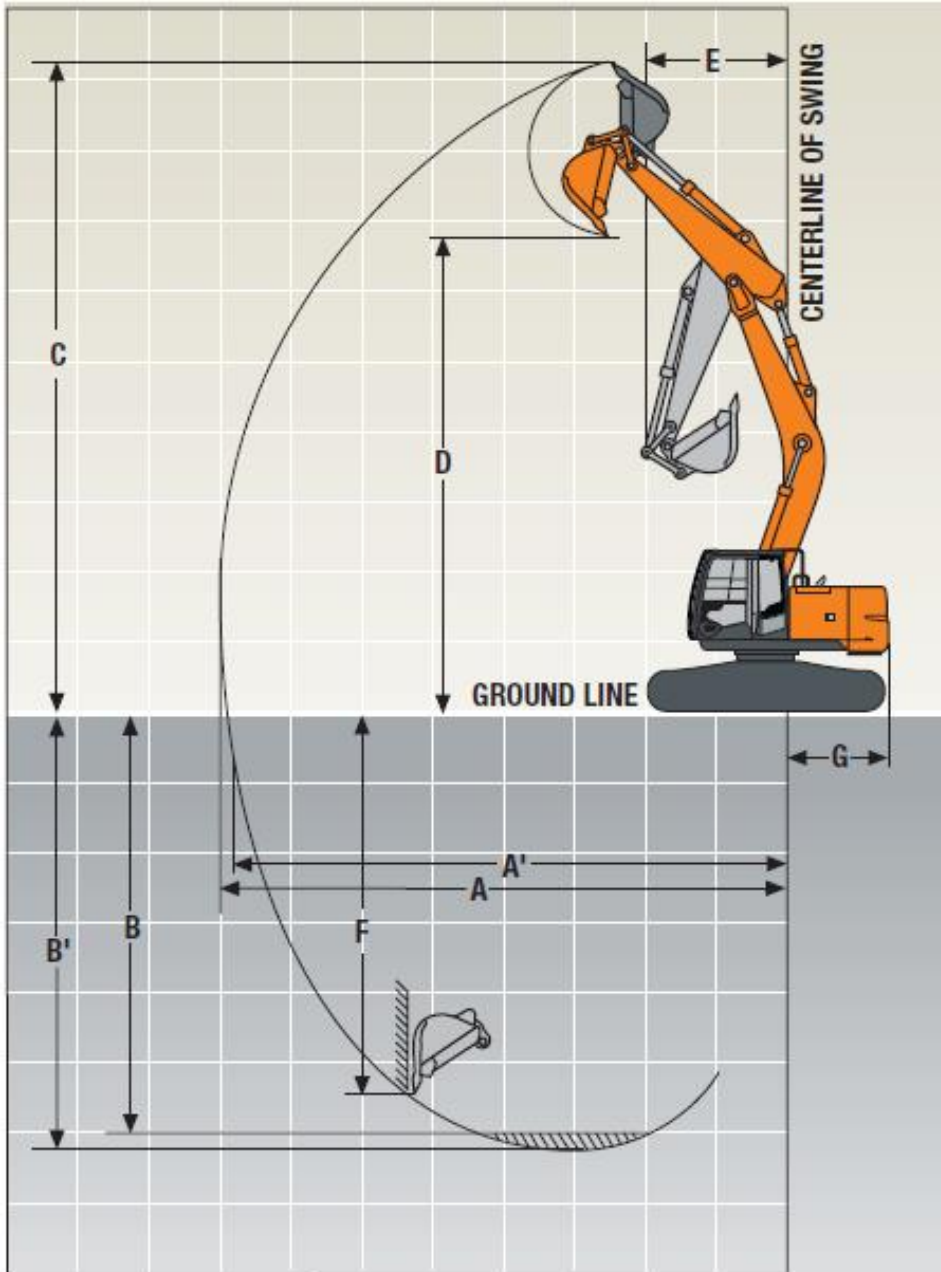
HYDRAULIC SYSTEM

Main pumps	2 variable displacement axial piston pumps Max flow: 2 x 56.0 gpm (2 x 212 L/min.)
Pilot pump	One gear
Maximum Rate Flow	7.9 gpm (30 L/min.)d
Pressure Setting	570 psi (3930 kPa)
System Operating Pressure	
Implement Circuits	4,980 psi (34 336 kPa)
Travel Circuits	4,980 psi (34 336 kPa)
Swing Circuits	4,410 psi (30 406 kPa)
Controls	pilot levers, short stroke, low effort; hydraulic pilot controls with shutoff lever

Call 01304 840845

OVENDEN

DIG IT > LOAD IT > CLEAR IT > MOVE IT



DIMENSIONS

Boom Length		3,000mm
Arm Length		2,920mm
A	Max digging reach	10,001mm
A'	Max digging reach on ground	9,830mm
B	Max digging depth	6,700mm
B'	Max digging depth (8' Level)	6,500mm
C	Max cutting height	10,980mm
D	Max dumping height	8,050mm
E	Min swing radius	2,370mm
F	Max vertical wall	5,920mm
G	Tail Swing Radius	1,680mm

Call 01304 840845

LIFTING CAPACITY

Boldface italic type indicates hydraulic-limited capacities; lightface type indicates stability-limited capacities, in lb. (kg). Ratings are at bucket lift hook, using 1.05-cu.-yd. (0.80 m³), 1,455-lb. (660 kg) bucket; standard counterweight, situated on firm, level, uniform supporting surface. Figures do not exceed 87 percent of hydraulic capacity or 75 percent of weight needed to tip machine.

Load Point Height	5 ft. (1.52 m)		10 ft. (3.05 m)		15 ft. (4.57 m)		20 ft. (6.10 m)		25 ft. (7.62 m)	
	Over Front	Over Side	Over Front	Over Side	Over Front	Over Side	Over Front	Over Side	Over Front	Over Side
With 9-ft. 7-in. (2.91 m) arm and 28-in. (700 mm) triple semi-grouser shoes										
25 ft. (7.62 m)							6,348 (2879)	6,348 (2879)		
20 ft. (6.10 m)							8,868 (4022)	8,868 (4022)	6,672 (3026)	6,672 (3026)
15 ft. (4.57 m)					11,093 (5032)	11,093 (5032)	9,940 (4509)	9,940 (4509)	9,351 (4242)	7,198 (3265)
10 ft. (3.05 m)					15,571 (7063)	15,571 (7063)	11,900 (5298)	10,065 (4565)	10,194 (4624)	6,947 (3151)
5 ft. (1.52 m)					20,080 (9108)	14,511 (6582)	14,025 (6362)	9,458 (4290)	11,209 (5084)	6,648 (3015)
Ground Line					22,077 (10 014)	13,831 (6274)	15,484 (7023)	9,014 (4089)	10,940 (4962)	6,402 (2904)
-5 ft. (-1.52 m)			14,178 (6431)	14,178 (6431)	21,813 (9894)	13,668 (6200)	15,276 (6929)	8,807 (3995)	10,804 (4901)	6,278 (2848)
-10 ft. (-3.05 m)	18,661 (8464)	18,661 (8464)	23,452 (10 638)	23,452 (10 638)	19,922 (9036)	13,782 (6251)	14,804 (6715)	8,824 (4003)	10,860 (4926)	6,339 (2875)
-15 ft. (-4.57 m)			20,995 (9523)	20,995 (9523)	15,959 (7239)	14,152 (6419)	11,521 (5226)	9,112 (4133)		