

Doosan DX420LC

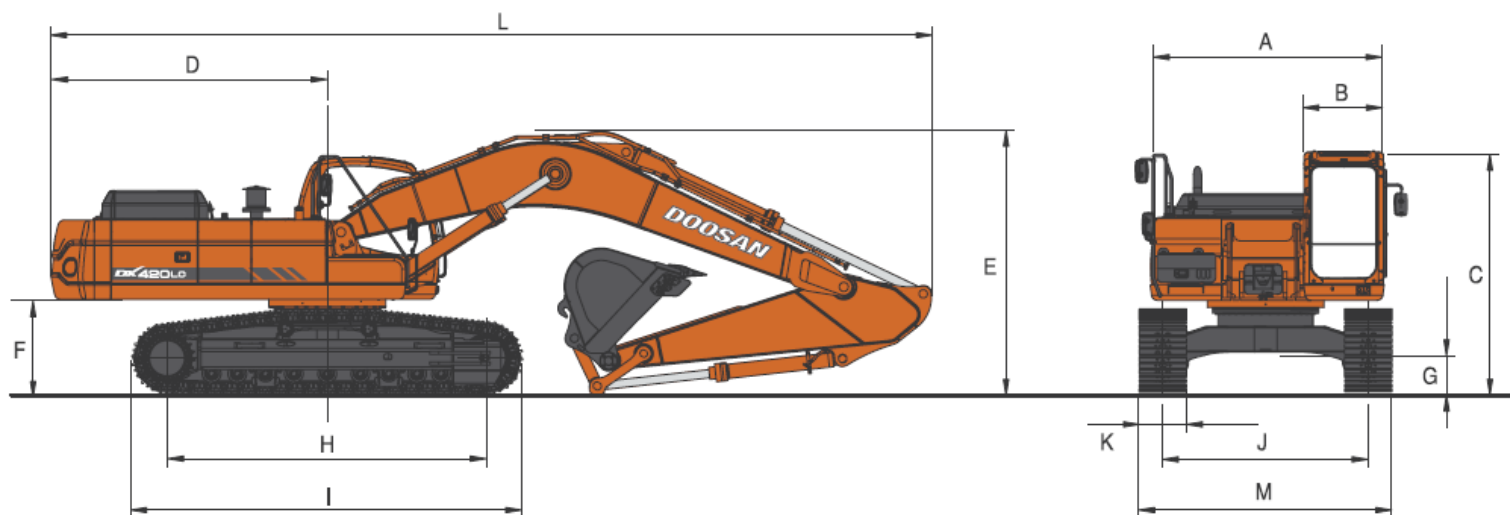
Hydraulic Excavator



ENGINE		
Make / Model	Kubota	DOOSAN DV11
Fuel / Cooling	"Common Rail" engine with direct fuel injection and electronic control, 4 valves per cylinder, vertical injectors, water cooled, turbo charged with air to air intercooler. The emission levels are well below the values required for Phase III.	
Maximum power	218 kW (297 Ps) at 1.800 rpm (DIN 6271 net) 218 kW (293 Hp) at 1.800 rpm (SAE J1349 net)	
Torque	140 kgf.m (1.373 Nm) at 1.300 rpm	
Number of cylinders	6	
Displacement	10.964 cc	
Bore / Stroke	128 mm x 142 mm	
PERFORMANCE		
Maximum grade	35° / 70 %	
Maximum traction force	17.200 / 32.500 kgf	
Travel speed (fast/slow)	5,3 / 3,1 km/h	
Swing speed	0 to 9,2 rpm	
HYDRAULIC CYLINDERS		
Cylinders	Quantity	Bore x Rod diameter x stroke
Boom	2	165 x 115 x 1460 mm
Arm	1	180 x 120 x 1820 mm
Bucket	1	160 x 110 x 1320 mm

Call 01304 840845

OVENDEN
DIG IT > LOAD IT > CLEAR IT > MOVE IT



DIMENSIONS

A	Overall Width upper structure	2,990mm
B	Cab Width	1,010mm
C	Overall Height of cabin	3,154mm
D	Tail Swing Radius	3,660mm
E	Overall Height	3,480mm
F	Counterweight Clearance	1,265mm
G	Overall Length	540mm
H	Ground Clearance	4,250mm
I	Tumbler Distance	5,200mm
J	Track Length	2,750mm
K	Track gauge	600mm
L	Shoe width	11,660mm
M	Overall Width	3,350mm

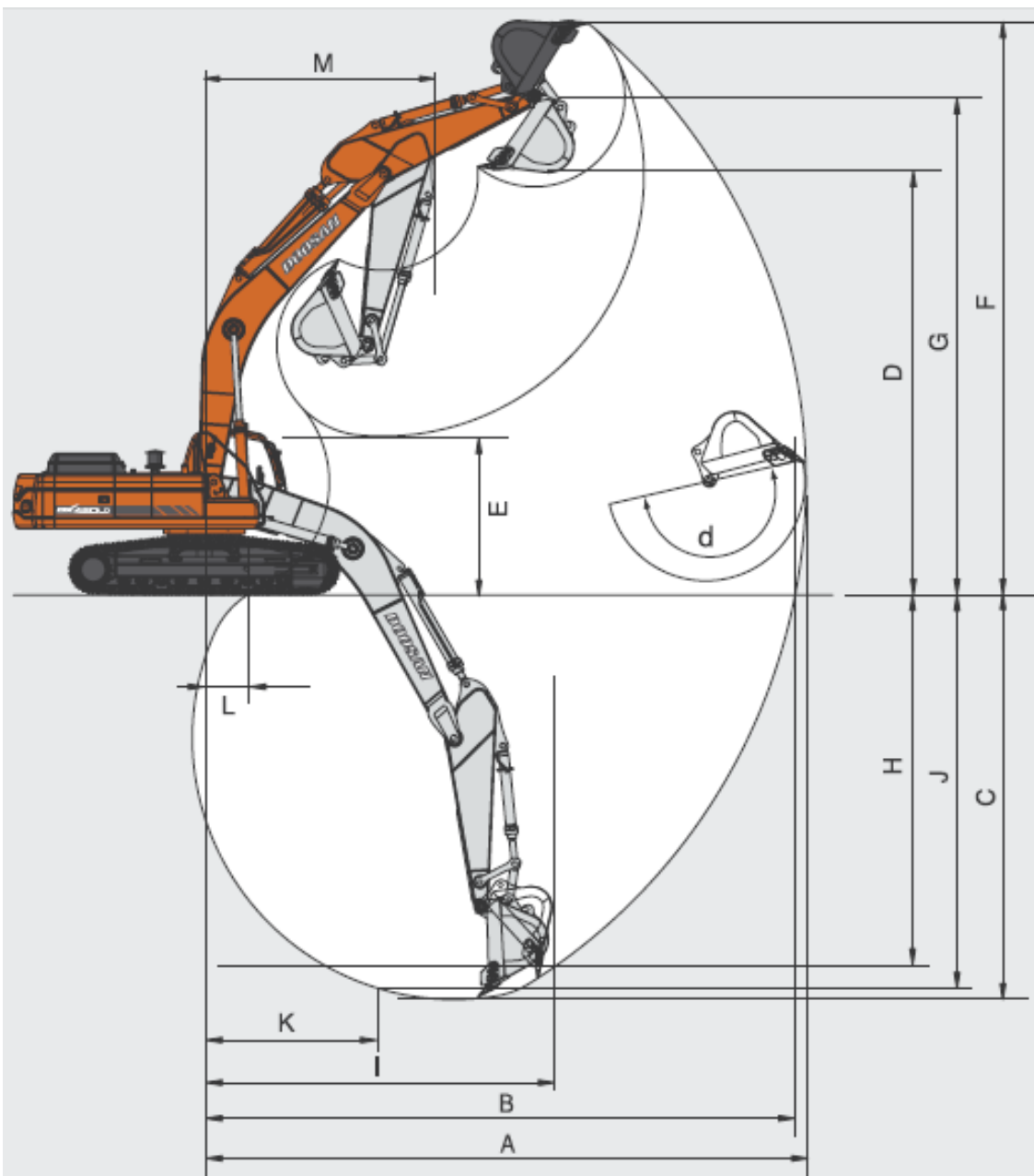
HYDRAULIC SYSTEM

Pump type	2 variable displacement axial piston pumps
Main Pump	Max flow: 2 x 315 l/min
Gear pump	Max flow: 22 l/min
Boom/arm/bucket:	
Normal mode:	320 kg/cm ² (314 bar)
Power mode:	350 kg/cm ² (343 bar)
Travel:	320 kg/cm ² (314 bar)
Rotation:	270 kg/cm ² (265 bar)

Call 01304 840845

OVENDEN

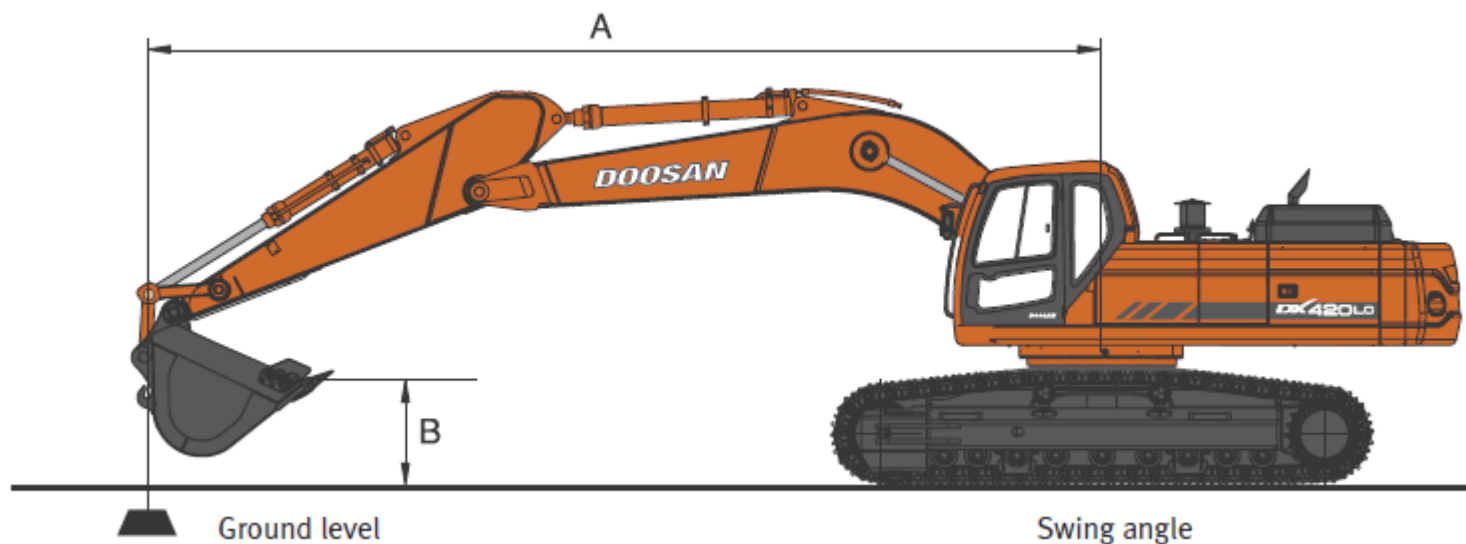
DIG IT > LOAD IT > CLEAR IT > MOVE IT



DIMENSIONS

Boom Length		6,700mm
Arm Length		3,250mm
Type of Bucket		1.90m ³
A	Max digging reach	11,495mm
B	Max digging reach at ground level	11,290mm
C	Max digging depth	7,730mm
D	Max dumping height	7,795mm
E	Min dumping height	3,050mm
F	Max digging height	10,920mm
G	Max bucket pin height	9,520mm
H	Max vertical wall height	4,350mm
I	Max vertical radius	9,440mm
J	Max digging depth	7,570mm
K	Min radius 8' line	3,490mm
L	Min digging reach	820mm
M	Min swing radius	4,380mm
d	Bucket angle	183deg

Call 01304 840845



LIFTING CAPACITY

Standard — Boom: 6.700 mm - Arm: 3.250 mm - Bucket: SAE 1,9 m³ (CECE 1,7 m³), Weight: 1.710 kg - Shoe: 600 mm

Units: 1.000 kg

B (m)	A (m)		2		3		4		5		6		7		8		9		Max. lift					
	🏗️	🏗️	🏗️	🏗️	🏗️	🏗️	🏗️	🏗️	🏗️	🏗️	🏗️	🏗️	🏗️	🏗️	🏗️	🏗️	🏗️	🏗️	🏗️	🏗️	🏗️	A(m)		
8																						*7.28	*7.28	7.81
7												*7.69	*7.69	*7.63	7.62							*7.32	6.85	8.48
6												*8.15	*8.15	*7.86	7.52							*7.48	6.10	8.99
5										*9.63	*9.63	*8.83	*8.83	*8.27	7.38	*7.91	6.00					*7.74	5.59	9.36
4			*23.59	*23.59	*16.23	*16.23	*12.85	*12.85	*10.90	*10.90	*9.66	8.97	*8.81	7.21	*8.22	5.89						*7.96	5.24	9.61
3					*19.89	*19.89	*14.95	*14.69	*12.23	11.07	*10.53	8.70	*9.39	7.02	*8.58	5.78						8.13	5.02	9.76
2					*17.09	*17.09	*16.75	14.11	*13.44	10.69	*11.36	8.44	*9.24	6.85	*8.94	5.66						7.99	4.91	9.79
1					*14.73	*14.73	*17.99	13.70	*14.38	10.39	*12.03	8.23	*10.41	6.70	9.06	5.56						8.01	4.90	9.72
0 (ground)			*8.19	*8.19	*15.98	*15.98	*18.60	13.45	*14.97	10.18	*12.49	8.07	*10.73	6.58	8.97	5.48						8.18	4.99	9.55
-1	*8.94	*8.94	*11.95	*11.95	*18.85	*18.85	*18.67	13.33	*15.17	10.06	*12.68	7.97	10.71	6.51	8.92	5.43						8.54	5.20	9.26
-2	*12.71	*12.71	*15.91	*15.91	*22.78	19.29	*18.26	13.31	*14.99	10.01	*12.56	7.92	10.68	6.48								9.15	3.57	8.85
-3	*16.58	*16.58	*20.32	*20.32	*21.39	19.41	*17.38	13.37	*14.38	10.04	*12.05	7.94	*10.13	6.51								*9.58	6.17	8.30
-4	*20.85	*20.85	*24.17	*24.17	*19.43	*19.43	*15.96	13.50	*13.25	10.14	*11.02	8.03										*9.83	7.16	7.57
-5	*25.81	*25.81	*20.46	*20.46	*16.70	*16.70	*13.81	13.72	*11.38	10.32												*9.99	8.94	6.61
-6			*15.34	*15.34	*12.77	*12.77	*10.45	*10.45														*9.80	*9.80	5.28

Call 01304 840845