

Volvo EC300D

Hydraulic Excavator



ENGINE

Model	Volvo D8H
Number of cylinders	6
Piston displacement	7.8L
Nominal flywheel power	
Net, ISO 9249/SAE J1349 kW / hp	151kW
Gross, ISO 14396/SAE J1995	152kW
Max torque	1350 r/min/1012Nm
Bore & stroke	110 x 136mm

HYDRAULIC SYSTEM

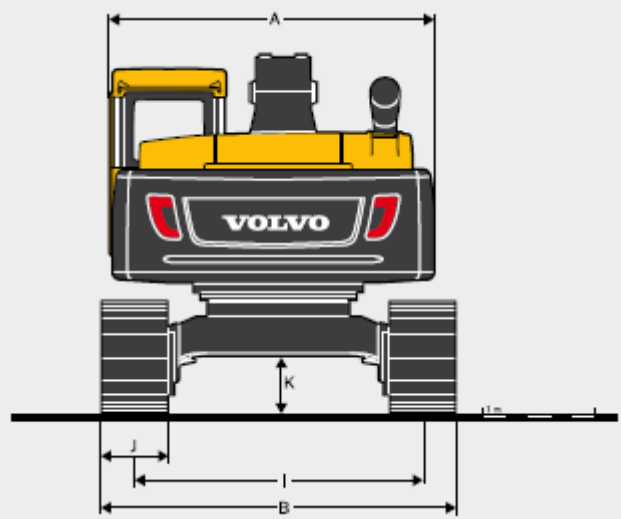
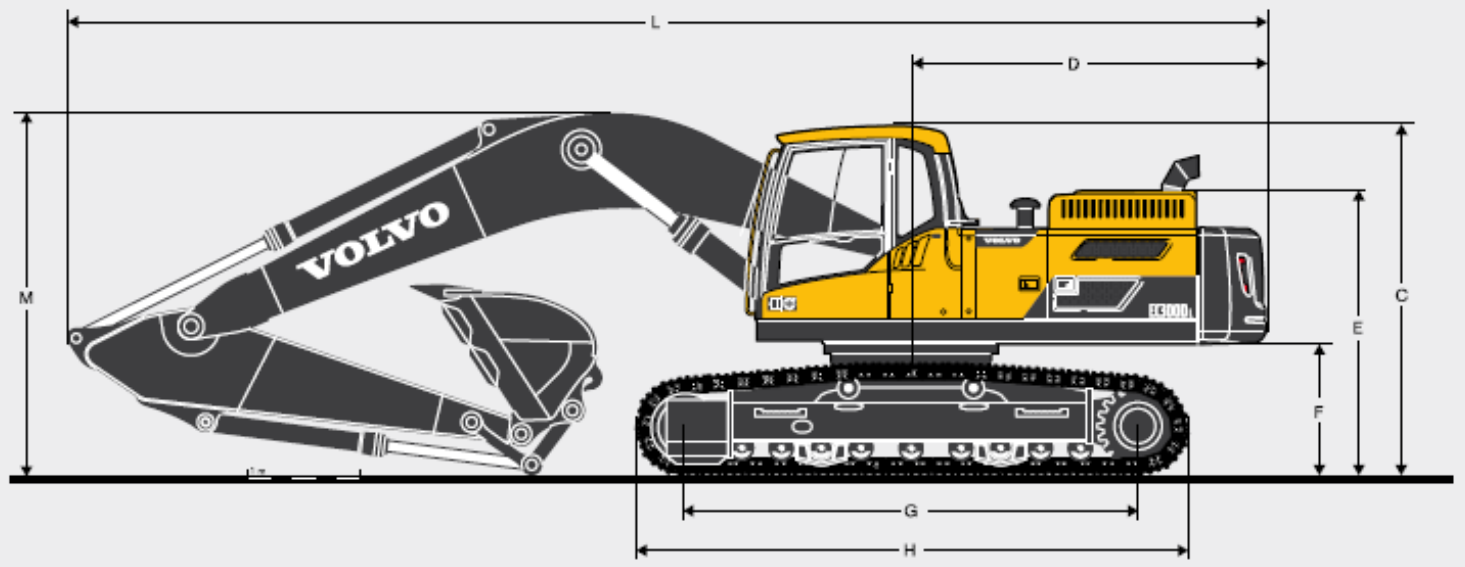
Main Pump	Two variable displacement piston pumps
Maximum flow	2 x 263 l/min
Pilot pump	Type Gear pump
Maximum flow	18 l/min

HYDRAULIC CYLINDERS

Cylinders	Quantity	Bore x Rod diameter x stroke
Boom	2	140 x 1480mm
Arm	1	150 x 1745mm
Bucket	1	140 x 1140mm

Call 01304 840845

OVENDEN
DIG IT > LOAD IT > CLEAR IT > MOVE IT



DIMENSIONS

Boom	
Arm	3.7m
A. Overall width of upper structure	2,890 mm
B. Overall width	3,190 mm
C. Overall height of cab	3,060 mm
D. Tail slew radius	3,120 mm
E. Overall height of engine hood	2,490 mm
F. Counterweight clearance *	1,135 mm
G. Tumbler length	4,015 mm
H. Track length	4,870 mm
I. Track gauge	2,590 mm
J. Shoe width	600 mm
K. Min. ground clearance *	480 mm
L. Overall length	10,570 mm
L1. Overall length	10,570 mm
M. Overall height of boom	3,590 mm
M1. Overall height of boom	3,530 mm

Call 01304 840845

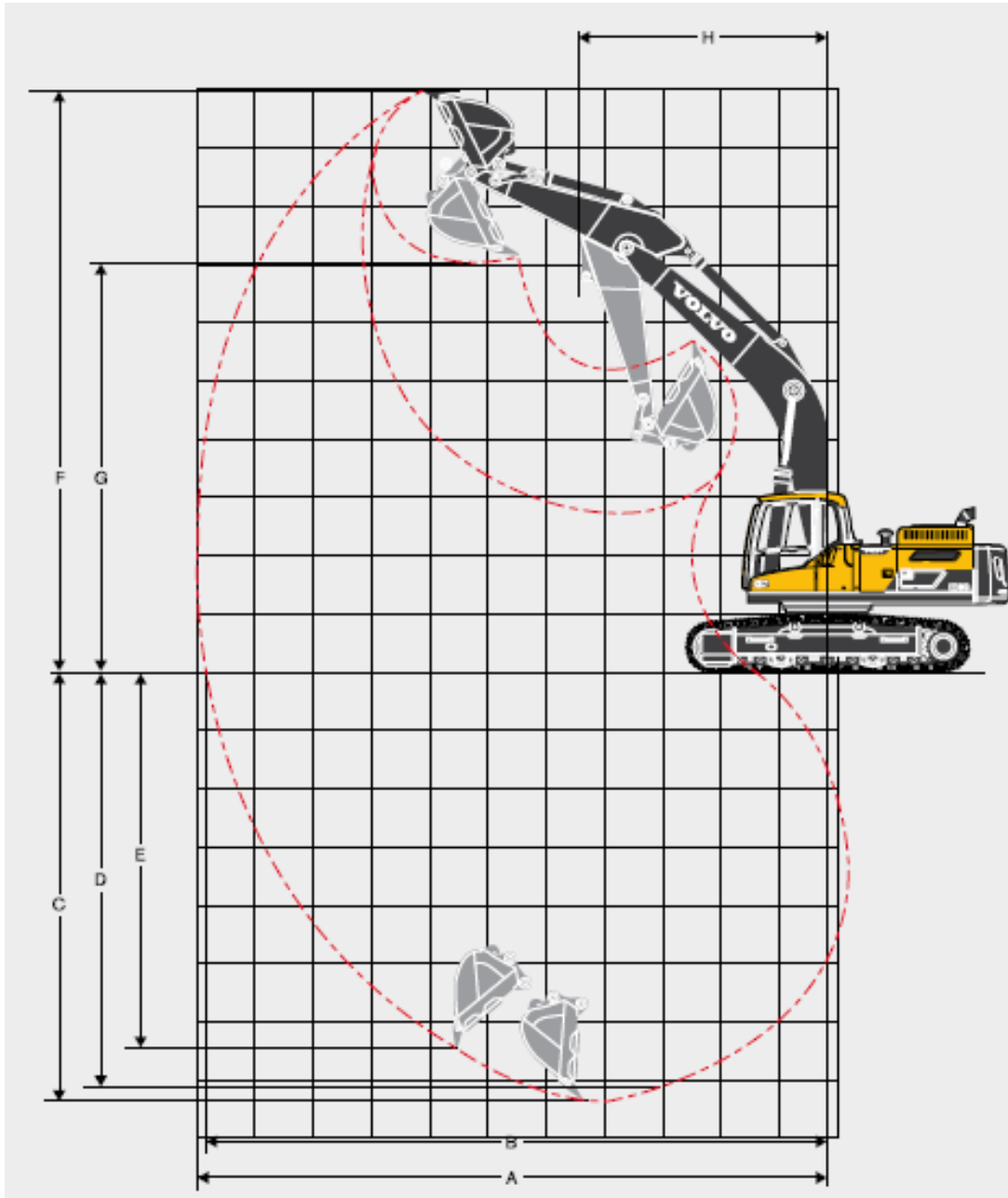
OVENDEN

DIG IT > LOAD IT > CLEAR IT > MOVE IT

LIFTING CAPACITY

	Lifting Point		7.5 m, 25'				9.0 m, 30'				Max. Reach					
			Along UC		Across UC		Along UC		Across UC		Along UC		Across UC		Max.	
	m	ft	t	lb	t	lb	t	lb	t	lb	t	lb	t	lb	m	ft
Boom : 6.2m, 20'34"	7.5	25'	*6.2	*13040	6.0	12910	-	-	-	-	*5.0	*10970	*5.0	*10970	8.0	25.8
Arm : 3.7m, 12'2"	6.0	20'	*6.3	*13820	6.0	12830	-	-	-	-	*4.8	*10500	4.4	9900	8.8	28.8
Shoe : 800mm, 32"	4.5	15'	*6.9	*14960	5.8	12430	*6.4	*12740	4.2	9060	*4.8	*10460	3.9	8690	9.4	30.7
CWT : 5500kg, 12130lb	3.0	10'	*7.7	*16690	5.5	11880	6.5	13960	4.1	8820	*4.9	*10760	3.6	8040	9.6	31.6
	1.5	5'	8.4	18120	5.3	11310	6.3	13650	4.0	8540	*5.2	*11420	3.5	7790	9.7	31.8
	0	0	8.2	17620	5.0	10860	6.2	13410	3.9	8310	*5.7	*12560	3.6	7890	9.5	31.1
	-1.5	-5'	8.1	17340	4.9	10610	-	-	-	-	6.2	13630	3.8	8420	9.0	29.5
	-3.0	-10'	8.1	17360	4.9	10620	-	-	-	-	7.0	15600	4.3	9620	8.3	27.0
	-4.5	-15'	-	-	-	-	-	-	-	-	*8.6	*18890	5.5	12250	7.1	23.1
	-6.0	-20'	-	-	-	-	-	-	-	-	*8.7	*19130	*8.7	*19130	5.3	16.9

Call 01304 840845



WORKING RANGE

	Boom length	
	Arm length	3.7m
A	Max. digging reach	11,322mm
A'	Max. digging reach on ground	11,137mm
B	Max. digging depth	7,997mm
B'	Max. digging depth (8' level)	7,837mm
C	Max. vertical wall digging depth	7,094mm
D	Max. digging height	10,363mm
E	Max. dumping height	7,324mm
F	Min. swing radius	4,240mm

Call 01304 840845