

Dynapac 120

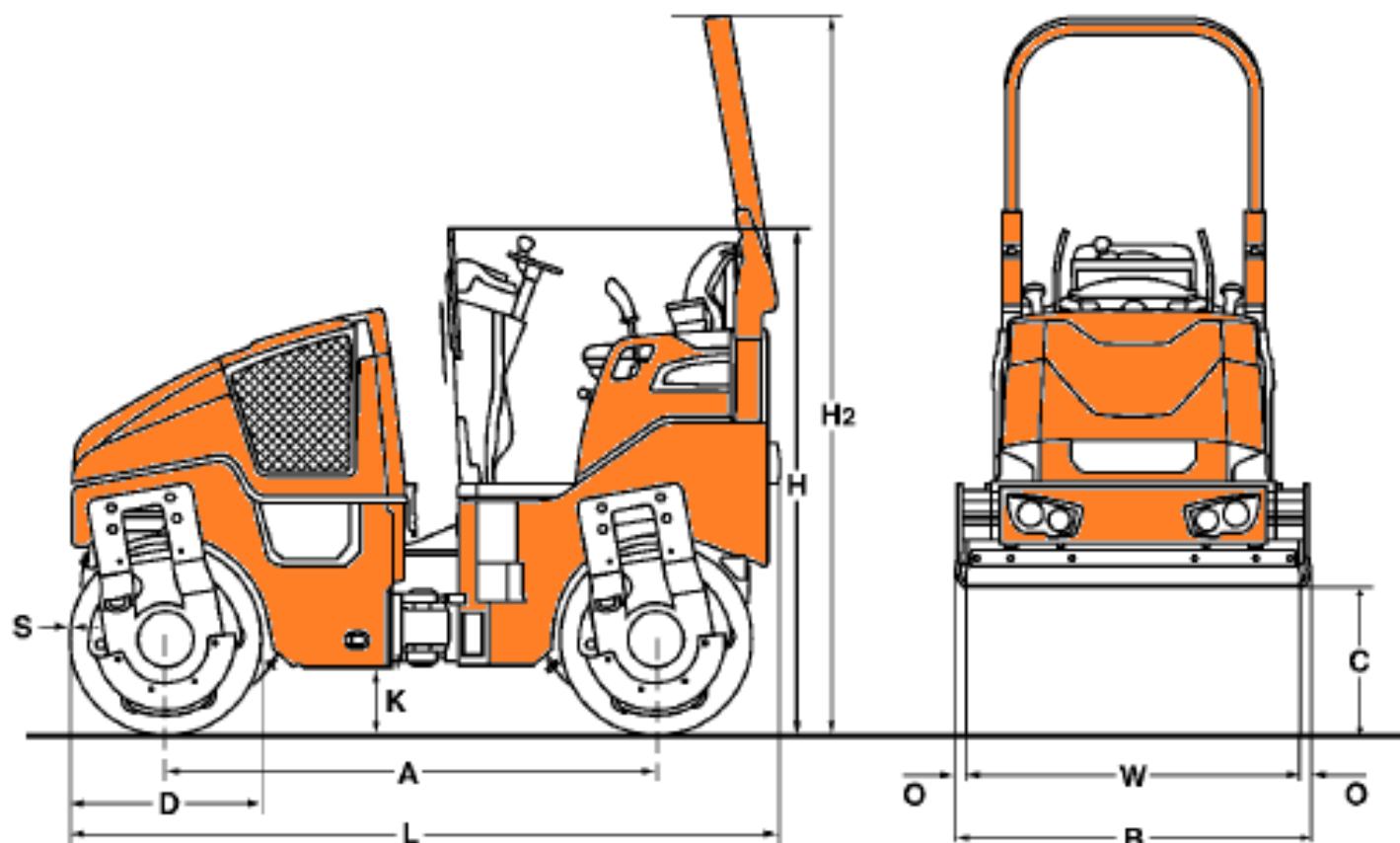
Tandem Vibratory Rollers



Compaction output (m ³ /h) at recommended soil layer thicknesses		
Gravel, sand	Mixed soil	Silt, clay
85-170	65-125	43-85
Compaction output (t/h) at different asphalt layer thicknesses		
2-4cm	6-8cm	10-12cm
20-45	40-70	70-120
WEIGHTS		
Operating weight w. ROPS CECE	kg	2,700
Average static linear load CECE	kg/cm	11,3
Gross weight	kg	3,500
DIMENSIONS		
Working width	mm	1,200
Track radius, inner	mm	2,450

Call 01304 840845

OVENDEN
DIG IT > LOAD IT > CLEAR IT > MOVE IT



DIMENSIONS

A	1,752mm
B	1,272mm
C	523mm
D	700mm
H	1,808mm
H2	2,568mm
K	254mm
L	2,529mm
O	36mm
S	13mm
W	1,200mm

Call 01304 840845

OVENDEN

DIG IT > LOAD IT > CLEAR IT > MOVE IT

DRIVING CHARACTERISTICS		
Speed	km/h	0- 10,0
Working speed with vibration	km/h	0- 10,0
Max. gradeability without/with vibr.	%	40/30
DRIVE		
Engine manufacturer	-	Kubota
Type	-	D 1703
Emission stage	-	3a /4i
Cooling	-	water
Number of cylinders	-	3
Performance ISO 14396	kW	24,3
Performance SAE J 1995	hp	32,6
Speed	min-1	2,600
Speed adjustment 1	min-1	2,500
Speed adjustment 2	min-1	2,600
Electric equipment	V	12
Driven drum	-	front + rear
BRAKES		
Service brake	hydrost.	
Parking brake	hydromec.	
STEERING		
Steering system	-	oscil.artic.
Steering method	-	hydrost.
Steering / oscillating angle +/-	grad	32/10
Crab walk	-	0 - 50
EXCITER SYSTEM		
Vibrating drum	-	front + rear
Drive system	-	hydrost.
Frequency	Hz	63/67
Amplitude	mm	0,50
Centrifugal force	kN	36/41

Call 01304 840845

OVENDEN

DIG IT > LOAD IT > CLEAR IT > MOVE IT