

Hamm 80

Tandem Vibratory Rollers



Compaction output (m³/h) at recommended soil layer thicknesses

Gravel, sand	Mixed soil	Silt, clay
60-110	42-85	33-65

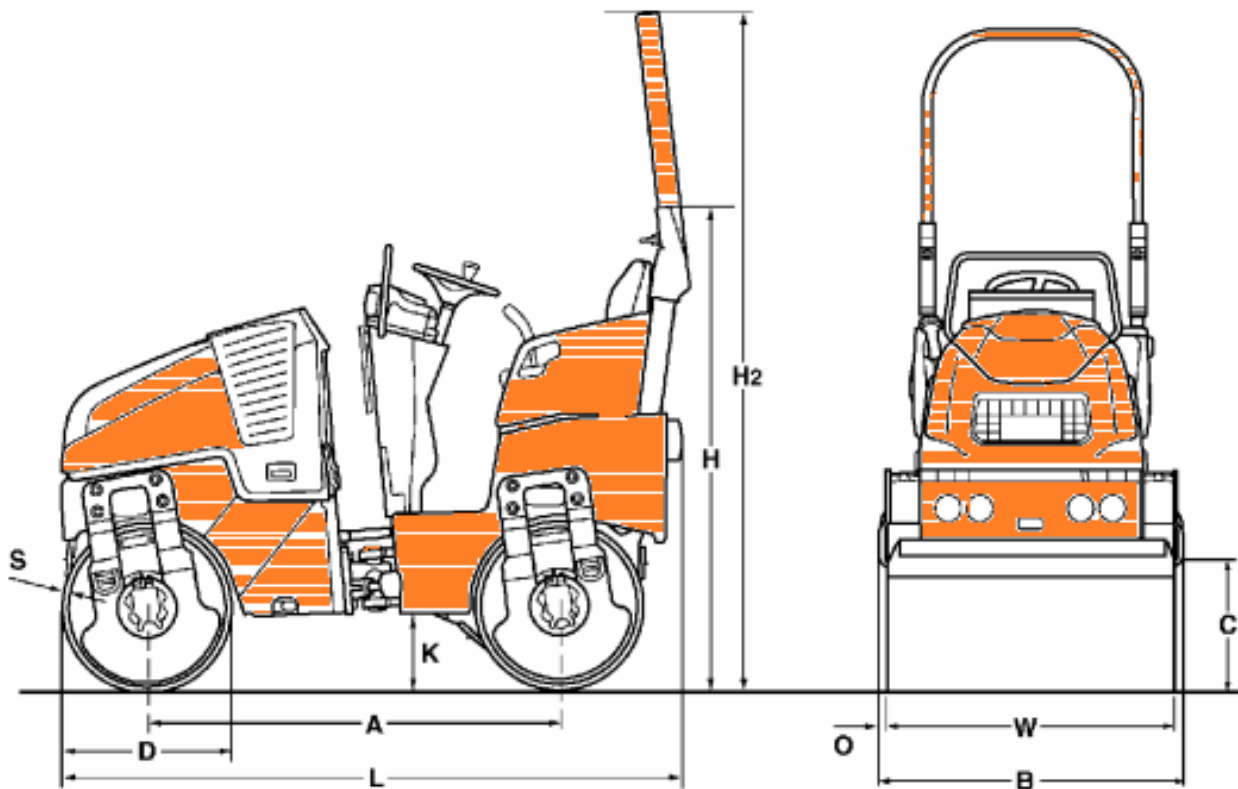
Compaction output (t/h) at different asphalt layer thicknesses

2-4cm	6-8cm	10-12cm
10-30	25-45	35-70

Call 01304 840845

OVENDEN

DIG IT > LOAD IT > CLEAR IT > MOVE IT



DIMENSIONS

A	mm	1483
B	mm	856
C	mm	433
D	mm	580
H	mm	1627
H2	mm	2304
K	mm	255
L	mm	2194
O	mm	28
S	mm	13
W	mm	800

Call 01304 840845

OVENDEN

DIG IT > LOAD IT > CLEAR IT > MOVE IT

WEIGHTS		
Operating weight w. ROPS CECE	kg	1,550
Average static linear load CECE	kg/cm	9.7
Gross weight	kg	1,800
DRIVING CHARACTERISTICS		
Speed	km/h	0- 10,0
Working speed with vibration	km/h	0- 10,0
Max. gradeability without/with vibr.	%	40/30
DRIVE		
Engine manufacturer	-	Kubota
Type	-	D 902
Emission stage	-	4 final
Cooling	-	water
Number of cylinders	-	3
Performance ISO 14396	kW	15,1
Performance SAE J 1995	hp	20,2
Speed	min-1	3,000
Speed adjustment 1	min-1	2,100
Speed adjustment 2	min-1	3,000
Electric equipment	V	12
Driven drum	-	front + rear
BRAKES		
Service brake	-	hydrost.
Parking brake	-	hydromec.
STEERING		
Steering system	-	oscil.artic.
Steering method	-	hydrost.
Steering / oscillating angle +/-	grad	33/8
Crab walk	-	0 - 50
EXCITER SYSTEM		
Vibrating drum	-	front + rear
Drive system	-	hydrost.
Frequency	Hz	42/63
Amplitude	mm	0,50
Centrifugal force	kN	8/17

Call 01304 840845

OVENDEN

DIG IT > LOAD IT > CLEAR IT > MOVE IT