

JCB Loadall 535-95

Telescopic Handler



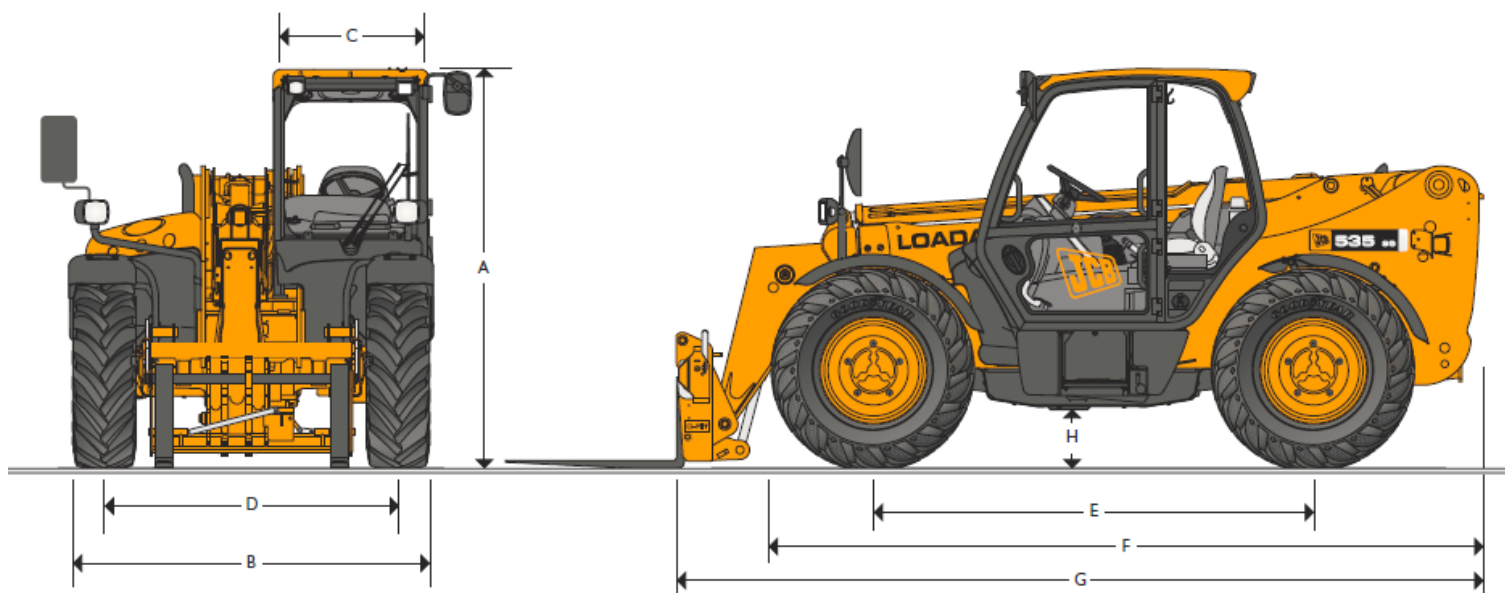
Maximum Payload (tonne)	3.5
Maximum Lift Height (m)	9.5

ENGINE		
Displacement	ltr (in3)	4.4 (269)
No. of cylinders		4
Bore size	mm (in)	105 (4.13)
Stroke	mm (in)	127 (5.0)
Aspiration		Naturally Aspirated
Power rating	kW (HP)	
Power rating @ 2200rpm	kW (hp)	62.0 (82.5)
Torque rating		
Torque rating @ 1200rpm	Nm (lbf ft)	308 (277)

Call 01304 840845

OVENDEN

DIG IT > LOAD IT > CLEAR IT > MOVE IT



DIMENSIONS

Machine model 535 – 90		m (ft-in)
A	Overall height	2.49 (8-2)
B	Inside width of cab	2.29 (7-6)
C	Width over tyres (min)	0.94 (3-1)
D	Front track	1.87 (6-1)
E	Wheel base	2.75 (9-0)
F	Overall length to front of tyres	4.38 (14-4)
G	Overall length to front of carriage	4.99 (16-4)
H	Ground clearance	0.40 (1-4)
	Outer turn radius over tyres	3.7 (12-2)
	Weight - Fixed	8020
	Tyres	15.5/R24

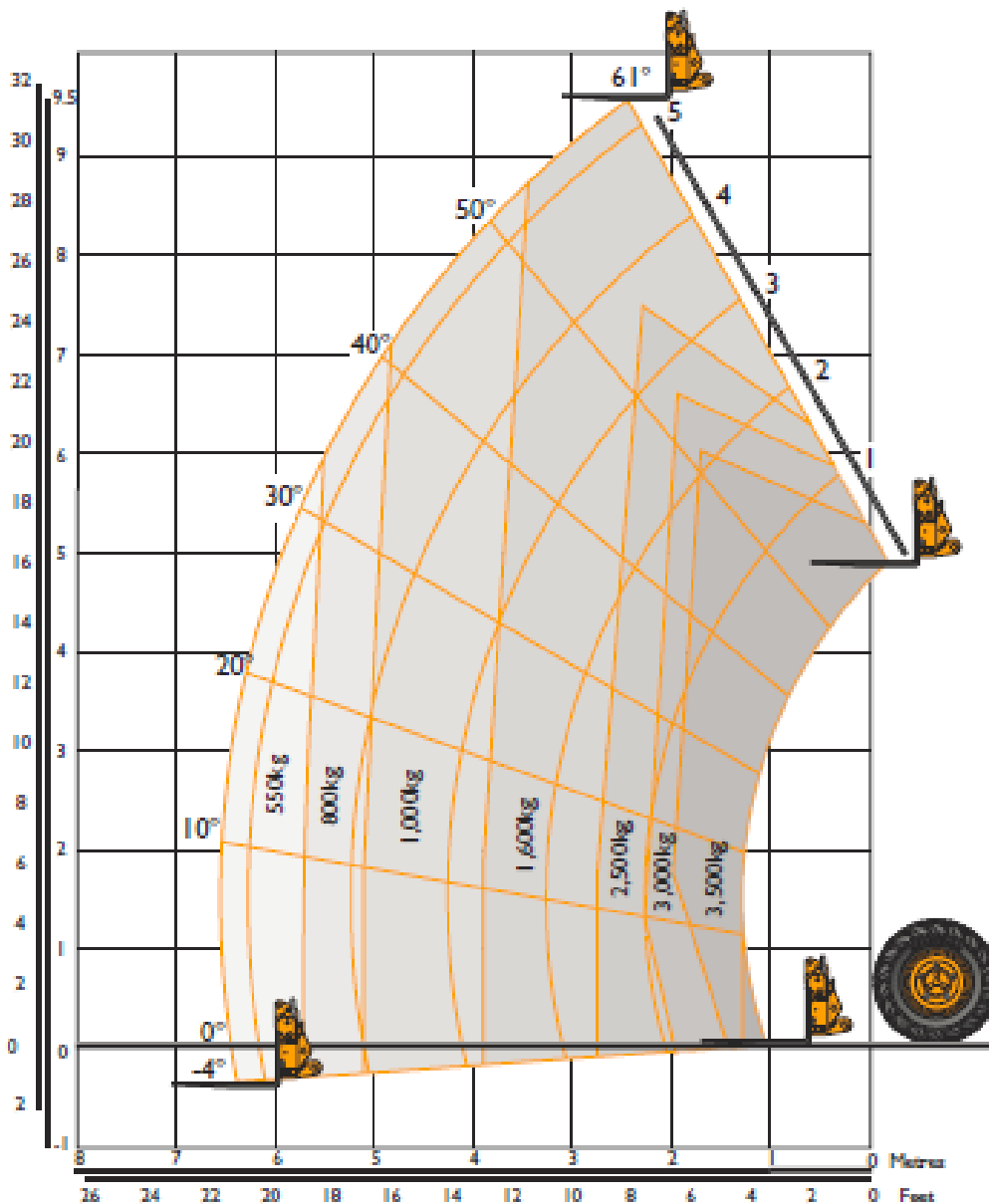
HYDRAULICS

Machine model		535-90
Operating system pressure	bar (psi)	241 (3500)
Main Hydraulics	ltrs	82
Hydraulic Cycle times		Seconds
Boom raise		9.1
Boom lower		6.3
Extend		10.5
Retract		9.2
Bucket dump		2.4
Bucket crowd		3.5

Call 01304 840845

OVENDEN

DIG IT > LOAD IT > CLEAR IT > MOVE IT



LIFT PERFORMANCE

Machine Model		535-95
Maximum lift capacity	kg (lb)	3500 (7716)
Lift capacity at full height	kg (lb)	1600 (3530)
Lift capacity at full reach	kg (lb)	550 (1213)
Lift height	m (ft-in)	9.50 (31-2)
Reach at max. lift height	m (ft-in)	2.43 (7-11)
Maximum reach forward	m (ft-in)	6.52 (21-5)
Reach with 1 tonne load	m (ft-in)	5.08 (16-8)
Placing height	m (ft-in)	8.78 (28-9)

Call 01304 840845

OVENDEN

DIG IT > LOAD IT > CLEAR IT > MOVE IT