

# Bomag BW213 DH4

## Single Drum Vibratory Roller



### Compaction output (m<sup>3</sup>/h)

Rock Fill	Gravel, sand	Mixed soil	Silt, clay
700-1400	480-960	360-720	210-420

### Compaction output (t/h)

1,20	0,80	0,60	0,30
------	------	------	------

### WEIGHTS

Gross weight	kg	17,200
Operating weight CECE w. ROPS-cabin	kg	14,900
Axle load, drum CECE	kg	9,400
Axle load, wheels CECE	kg	5,500
Static linear load CECE	kg/cm	44,1

Call 01304 840845

**OVENDEN**

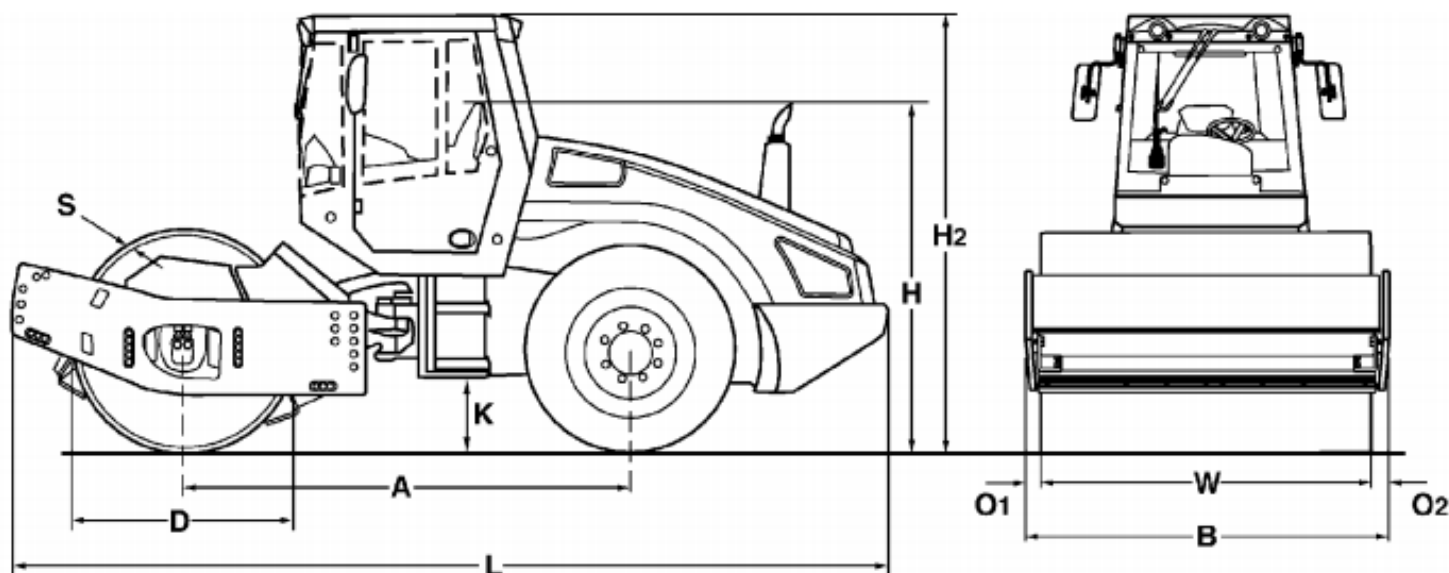
DIG IT > LOAD IT > CLEAR IT > MOVE IT

<b>DIMENSIONS</b>		
Working width	mm	2,130
Track radius, inner	mm	3,494
<b>DRIVING CHARACTERISTICS</b>		
Speed	km/h	0 - 14,0
Max. gradeability without/with vibr.	%	53/50
<b>DRIVE</b>		
Engine manufacturer	-	Deutz
Type	-	TCD 2013 L04
Emission stage	-	3a/3
Cooling	-	water
Number of cylinders	-	4
Performance ISO 3046	kW	119,0
Performance SAE J 1995	hp	160,0
Speed	min-1	2,200
Fuel	-	diesel
Electric equipment	V	12
Drive System		hydrost.
Drum Drive	-	standard
<b>BRAKES</b>		
Service brake		hydrost.
Parking brake		hydromec.
<b>STEERING</b>		
Steering system	-	oscil.artic.
Steering method	-	hydrost.
Steering / oscillating angle +/-	grad	35/12
<b>EXCITER SYSTEM</b>		
Vibrating drum	-	standard
Frequency	Hz	28
Amplitude	mm	0-2,50
Centrifugal force 1	kN	365
Centrifugal force 2	t	37,2
<b>CAPACITIES</b>		
Fuel	l	30,0

Call 01304 840845

**OVENDEN**

DIG IT > LOAD IT > CLEAR IT > MOVE IT



## DIMENSIONS

<b>A</b>	mm	2960
<b>B</b>	mm	2270
<b>D</b>	mm	1500
<b>H</b>	mm	2268
<b>H2</b>	mm	2985
<b>K</b>	mm	490
<b>L</b>	mm	5808
<b>O1</b>	mm	70
<b>O2</b>	mm	70
<b>S</b>	mm	35
<b>W</b>	mm	2130

Call 01304 840845

**OVENDEN**

DIG IT > LOAD IT > CLEAR IT > MOVE IT