

Doosan DX170W

Wheeled Excavator



ENGINE

Model	Doosan DL06
	“Common Rail” engine with direct fuel injection and electronic control, 4 valves per cylinder, vertical injectors, water cooled, turbo charged with air to air intercooler. The emission levels are well below the values required for phase IIIa.
Number of cylinders	6
Nominal flywheel power	103 kW / 140 Ps at 2.000 rpm (DIN 6271, net)
	103 kW / 138 Hp at 2.000 rpm (SAE J1349, net)
Max torque	63 kgf.m (618 Nm) at 1.400 rpm
Piston displacement	5.890 cc
Bore & stroke	100 mm x 125 mm
Starter	24 V / 4,5 kW
Batteries	2 x 12 V / 100 Ah
Air cleaner	Double element with auto dust evacuation.

HYDRAULIC CYLINDERS

MONO BOOM: Cylinders Quantity Bore x Rod diameter x stroke

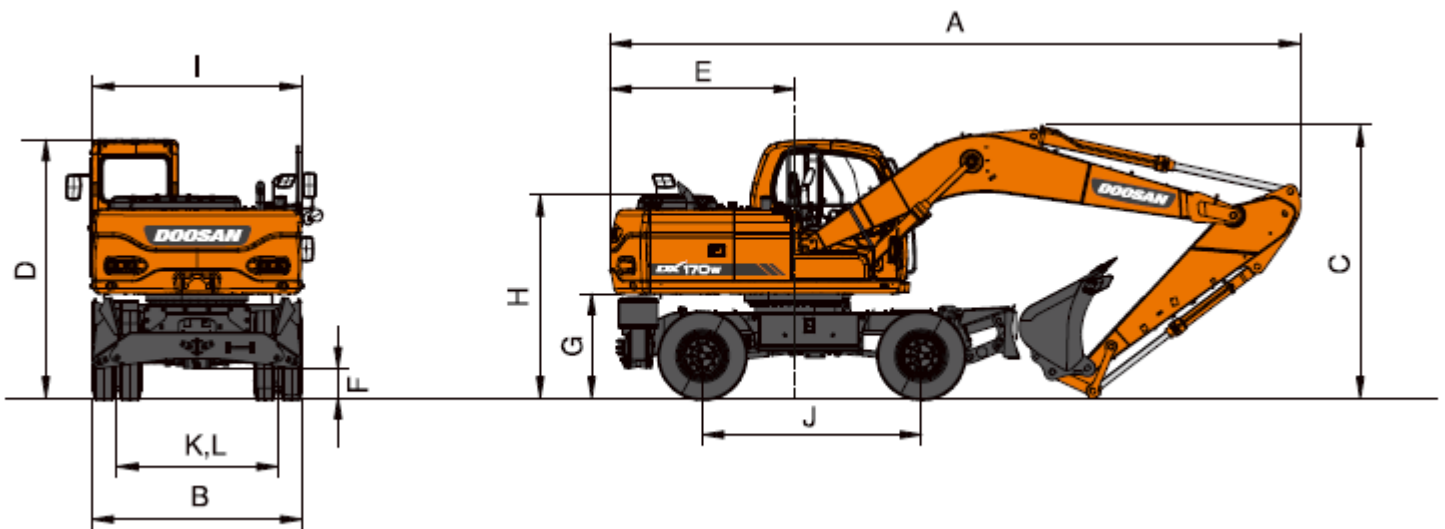
Boom	2	115 x 80 x 995 mm
Arm	1	125 x 90 x 1.265 mm
Bucket	1	110 x 75 x 995 mm

Call 01304 840845

OVENDEN

DIG IT > LOAD IT > CLEAR IT > MOVE IT

DIMENSIONS



DIMENSIONS

Boom Length		5,100mm
Arm Length		3,000mm
A	Shipping Length	3,000mm
B	Shipping Width	8,040mm
C	Shipping Height (boom)	2,496mm
D	Height over cabinet	3,600mm
E	Counter weight swing clearance	3,067mm
F	Ground Clearance	2,200mm
G	Counterweight Clearance	350mm
H	Engine cover height	1,243mm
I	Upper housing width	2,413mm
J	Wheel Base	2,494mm
K, L	Tread width	2,600mm

SWING MECHANISM

Swing Speed	0 to 10rpm
--------------------	------------

DRIVE

Travel speed (fast/slow)	37 / 32 / 10 / 3.5 km/h (High/Economy/Low/Creep)
Maximum traction force	9.950 kgf

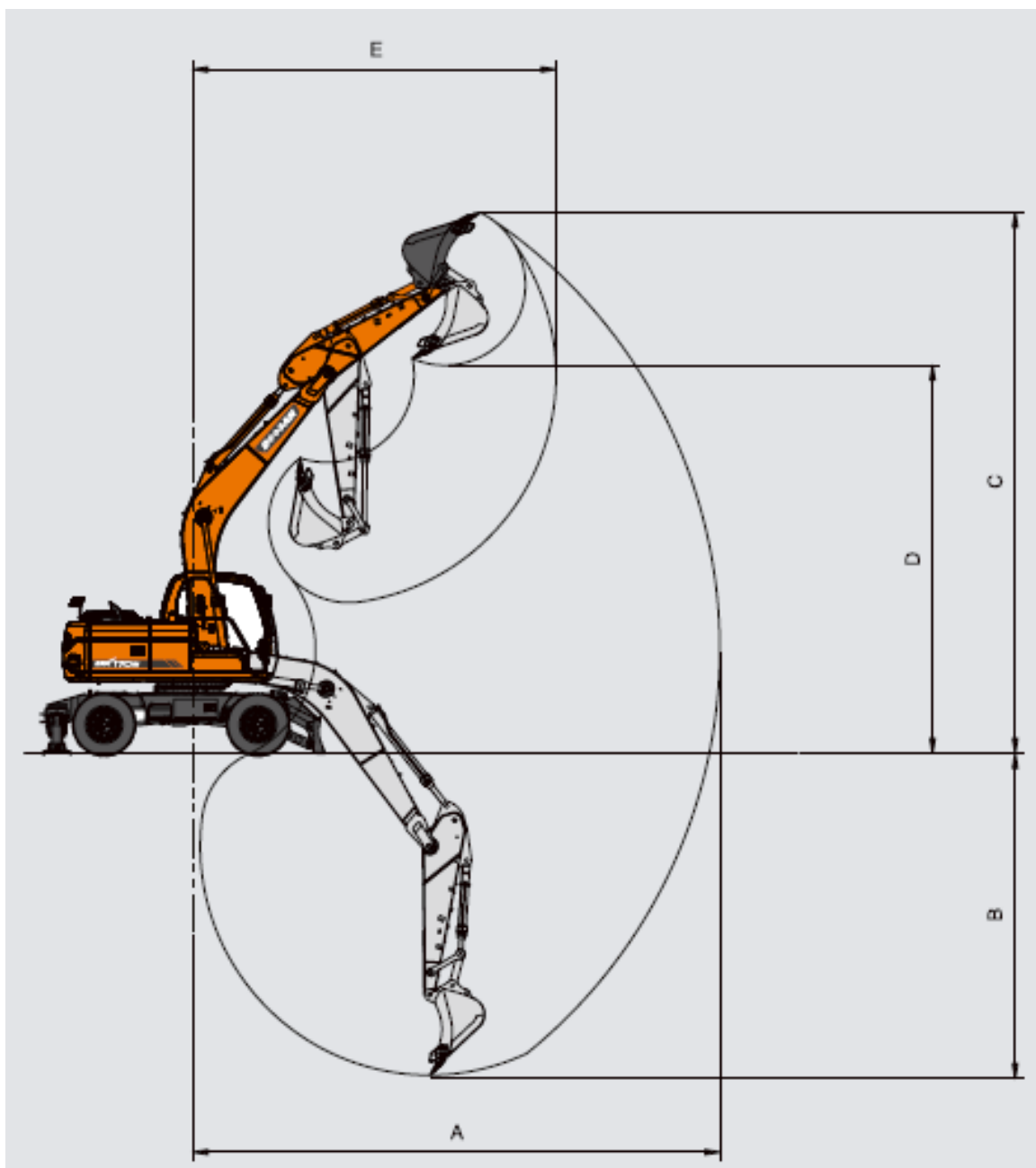
HYDRAULIC SYSTEM

Main pumps	2 variable displacement axial piston pumps Max flow: 2 x 156,1 l/min
Pilot pump	Gear pump – max flow: 18,5 l/min
Main relief valves	
Boom/arm/bucket:	Normal mode: 330 kg/cm ² (324 bar) Power mode: 350 kg/cm ² (343 bar) Travel: 350 kg/cm ² (343 bar) Rotation: 280 kgf/cm ² (274 bar)

Call 01304 840845

OVENDEN

DIG IT > LOAD IT > CLEAR IT > MOVE IT

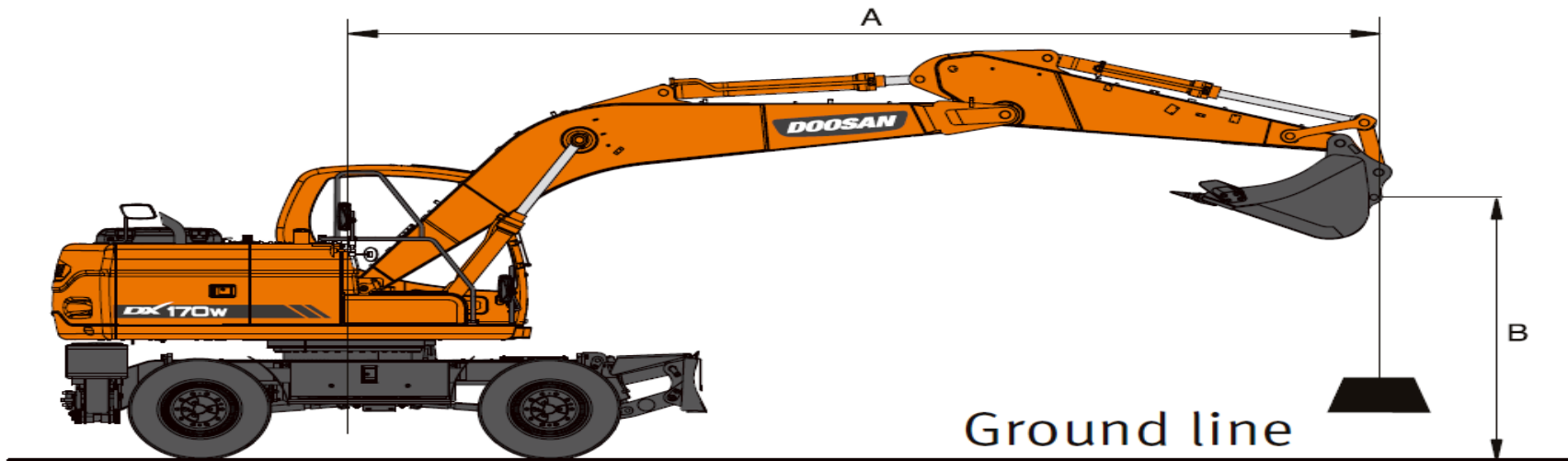


DIMENSIONS

Boom Length		5,100mm
Arm Length		3,000mm
A	Max digging reach	9,270mm
B	Max digging depth	5,905mm
C	Max digging height	9,175mm
D	Max dumping height	6,660mm
E	Min swing radius	3,150mm

Call 01304 840845

LIFTING CAPACITY



Centerline of rotation

Front dozer and rear outrigger down — Boom: 5.100 mm - Arm: 2.500 mm - Without Bucket - Counterweight: 3.000 kg

Units: 1.000 kg

B (m)	A (m)		2		3		4		5		6		7		Max. lift		A(m)
	U	EQ	U	EQ	U	EQ	U	EQ	U	EQ	U	EQ	U	EQ	U	EQ	
7									*3,50	*3,50					*2,43	*2,43	5,39
6									*4,09	*4,09	*3,05	*3,05			*2,23	*2,23	6,22
5									*4,31	*4,31	*3,98	*3,98			*2,15	*2,15	6,80
4				*7,09	*7,09	*5,56	*5,56	*4,71	*4,71	*4,17	*4,17	*3,09	*3,09	*2,14	*2,14	7,19	
3						*6,47	*6,47	*5,19	*5,19	*4,43	*4,43	*3,92	3,69	*2,18	*2,18	7,43	
2						*7,25	*7,25	*5,64	*5,64	*4,67	*4,67	*4,01	3,65	*2,28	*2,28	7,53	
1						*7,66	*7,66	*5,93	*5,93	*4,83	4,62	*4,05	3,60	*2,44	*2,44	7,49	
o (ground)				*6,58	*6,58	*7,65	*7,65	*5,98	*5,98	*4,84	4,55	*3,96	3,57	*2,69	*2,69	7,32	
-1	*5,71	*5,71	*9,17	*9,17	*7,28	*7,28	*5,77	*5,77	*4,64	4,53				*3,08	*3,08	6,99	
-2	*8,67	*8,67	*8,21	*8,21	*6,58	*6,58	*5,25	*5,25	*4,12	*4,12				*3,46	*3,46	6,49	
-3	*8,07	*8,07	*6,72	*6,72	*5,46	*5,46	*4,28	*4,28						*3,20	*3,20	5,78	
-4					*3,63	*3,63								*3,01	*3,01	4,51	

Call 01304 840845

OVENDEN
DIG IT > LOAD IT > CLEAR IT > MOVE IT