

Doosan DX225LC

Crawler Excavator



ENGINE

Engine	Doosan DL06K
Engine power	124 kW / 167 HP at 1800 RPM
Main pumps max flow	2 x 115 l/min
Number of cylinders	6
Travel speed	3.0 / 5.5 km/h
Maximum traction force	14.9 - 27.5 t
Operating weight	21,900 - 22,800 kg

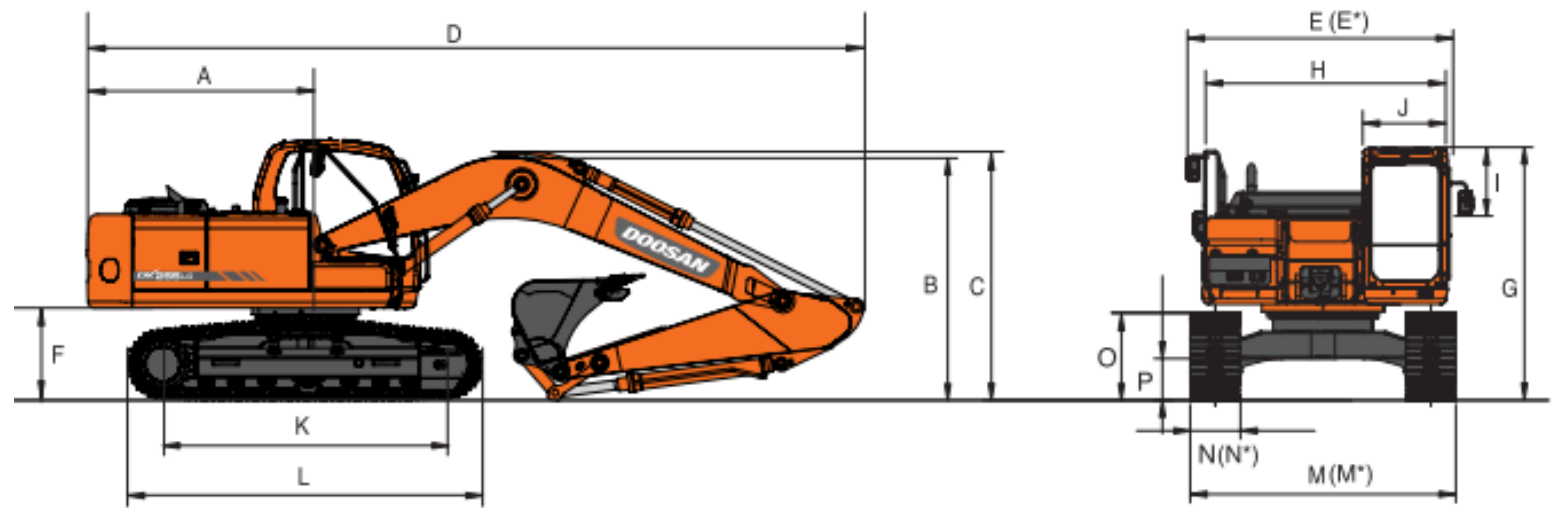
BUCKETS

Buckets	0.39 - 1.28 m ³
Overall width	2,990 mm
Overall height (Std Front)	3,005 mm
Overall length (Std Front)	9,490 mm
Tail swing radius	2,790 mm
Bucket digging force	149.0 kN
Arm digging force (Std Front)	100.0 / 105.9 kN
Max. digging reach (Std Front)	9,885 mm
Max. digging depth (Std Front)	6,585 mm
Max. digging height (Std Front)	9,560 mm

Call 01304 840845

OVENDEN

DIG IT > LOAD IT > CLEAR IT > MOVE IT



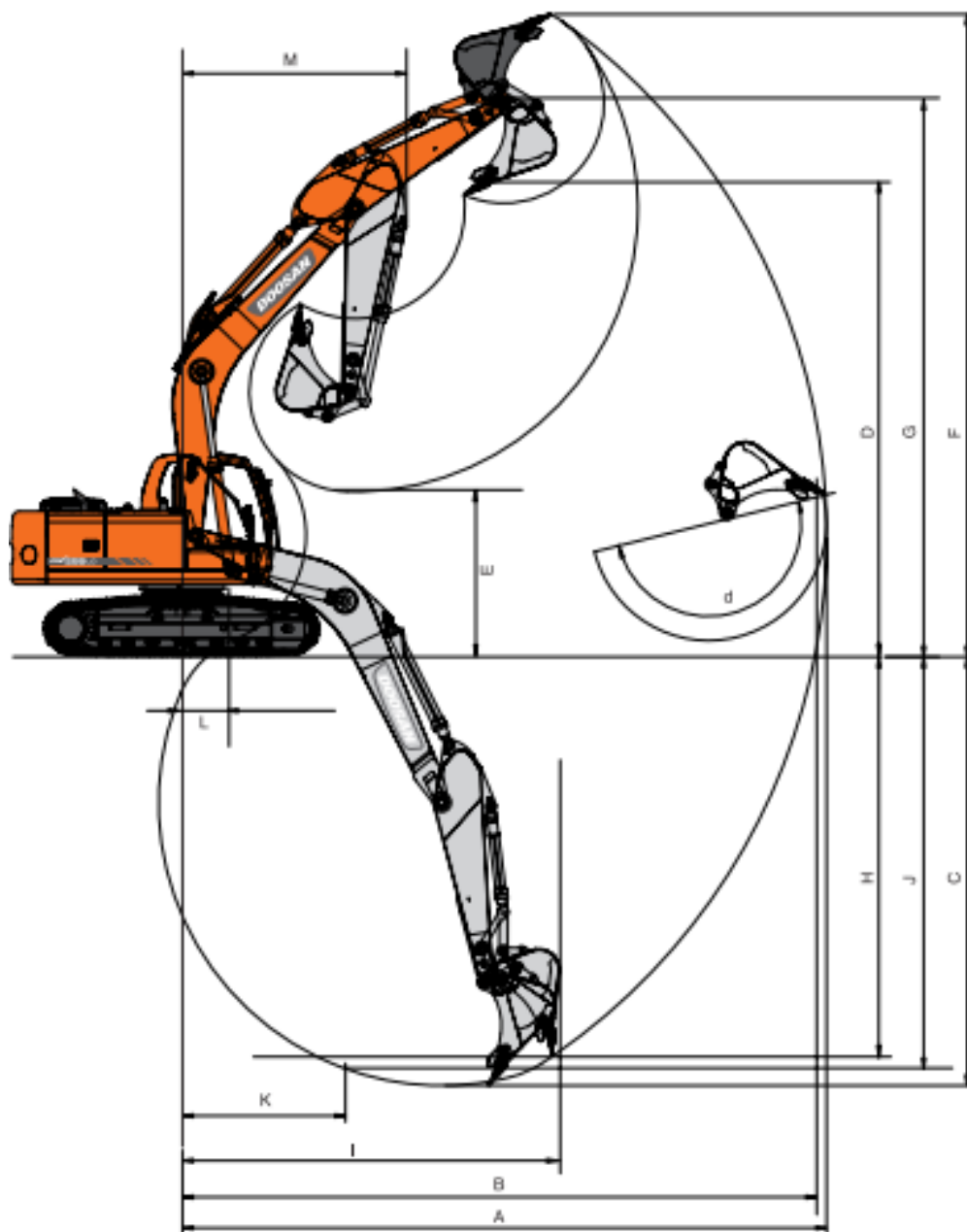
DIMENSIONS

Boom Length		5,700mm
Arm Length		2,900mm
Bucket Capacity		0.92m ³
A	Tail Swing Radius	2,790mm
B	Shipping Height (boom)	2,870mm
C	Shipping Height (hose)	3,005mm
D	Shipping Length	9,450mm
E	Shipping Width	2,990mm
F	Counterweight Clearance	1,055mm
G	Height over cabinet	2,975mm
H	House Width	2,710mm
I	Cab Height above cab	845mm
J	Cab Width	1,010mm
K	Tumbler Distance	3,650mm
L	Track Length	4,445mm
M	Undercarriage Width	2,990mm
N	Shoe width	600mm
O	Track height	947mm
P	Ground Clearance	480mm

Call 01304 840845

OVENDEN

DIG IT > LOAD IT > CLEAR IT > MOVE IT



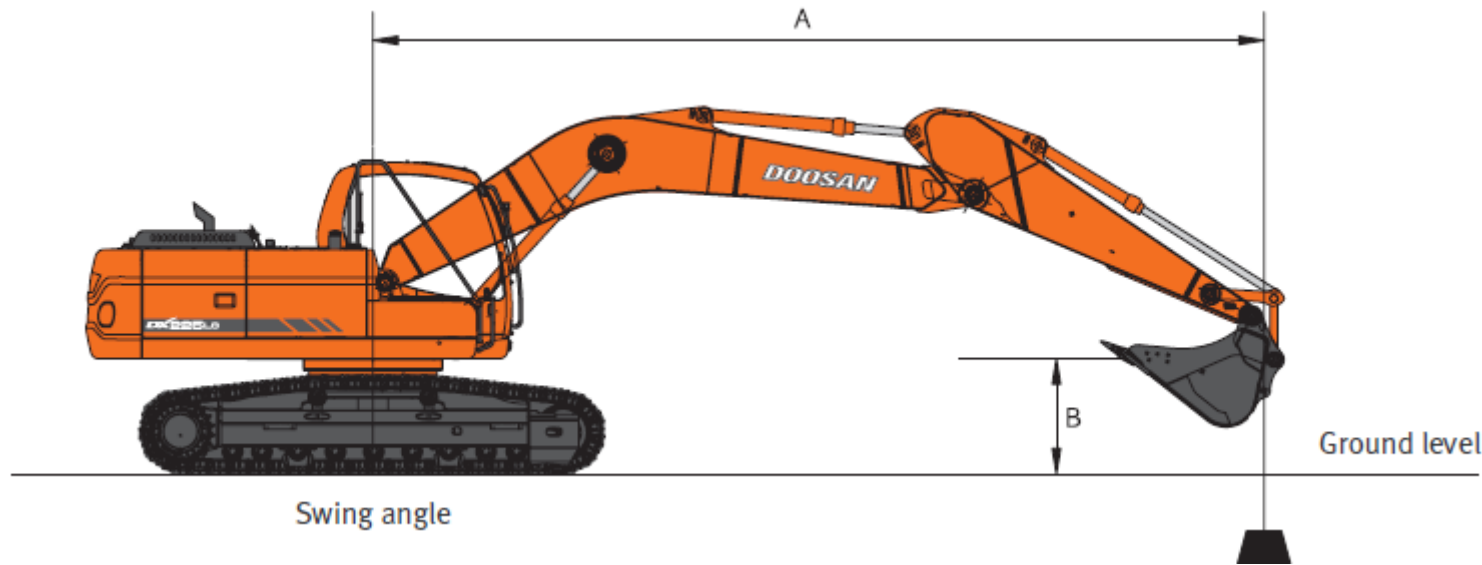
DIMENSIONS

Boom Length		5,700mm
Arm Length		2,900mm
Type of Bucket		0.92m ³
A	Max digging reach	9,885mm
B	Max digging reach at ground level	9,710mm
C	Max digging depth	6,585mm
D	Max dumping height	6,840mm
E	Min dumping height	2,500mm
F	Max digging height	9,560mm
G	Max bucket pin height	8,295mm
H	Max vertical wall height	5,625mm
I	Max vertical radius	6,380mm
J	Max digging depth	6,400mm
K	Min radius 8' line	2,855mm
L	Min digging reach	510mm
M	Min swing radius	3,580mm
d	Bucket angle	177deg

Call 01304 840845

OVENDEN
DIG IT > LOAD IT > CLEAR IT > MOVE IT

LIFTING CAPACITY



Standard track — Boom: 5.700 mm - Arm: 2.900 mm – Bucket: SAE 0,92 m³ (CECE 0,8 m³), weight: 707 kg - Shoe: 600 mm

Units: 1.000 kg

B (m)	A (m)		2		3		4		5		6		7		8		Max. lift		A(m)
	🔧	🔧	🔧	🔧	🔧	🔧	🔧	🔧	🔧	🔧	🔧	🔧	🔧	🔧	🔧	🔧	🔧		
8																	*3,42	*3,42	5,94
7																	*3,31	*3,31	6,85
6										*4,53	*4,53	*4,39	3,84				*3,30	*3,30	7,51
5										*4,87	*4,87	*4,69	3,79				*3,36	2,99	7,99
4								*5,95	*5,95	*5,37	4,79	*4,99	3,72	*4,50	2,95		*3,48	2,75	8,32
3			*11,94	*11,94	*8,57	*8,57	*6,92	6,19	*5,97	4,64	*5,36	3,62	4,67	2,9			*3,65	2,59	8,52
2			*7,08	*7,08	*10,19	8,36	*7,89	5,93	*6,58	4,49	5,71	3,53	4,61	2,84			*3,89	2,51	8,60
1			*5,62	*5,62	*11,36	8,03	*8,69	5,73	*7,11	4,36	5,61	3,44	4,55	2,79			4,09	2,5	8,56
o (ground)	*3,08	*3,08	*6,66	*6,66	*11,94	7,85	*9,21	5,59	7,05	4,26	5,54	3,37	4,51	2,75			4,18	2,54	8,40
-1	*5,53	*5,53	*8,59	*8,59	*12,03	7,77	9,4	5,51	6,98	4,19	5,49	3,33	4,48	2,73			4,39	2,67	8,11
-2	*7,92	*7,92	*11,11	*11,11	*11,71	7,77	*9,28	5,48	6,96	4,17	5,48	3,32					4,76	2,9	7,69
-3	*10,58	*10,58	*14,12	12,89	*10,99	7,82	*8,81	5,51	6,98	4,19	5,51	3,35					5,41	3,29	7,09
-4	*13,78	*13,78	*12,36	*12,36	*9,77	7,94	*7,86	5,59	*6,29	4,26							*5,86	4	6,28
-5			*9,77	*9,77	*7,80	*7,80	*6,10	5,75									*5,85	5,5	5,15

Call 01304 840845