

JCB Loadall 540-170

Telescopic Handler



© JCB

Maximum Payload (tonne)	4.0
Maximum Lift Height (m)	16.7

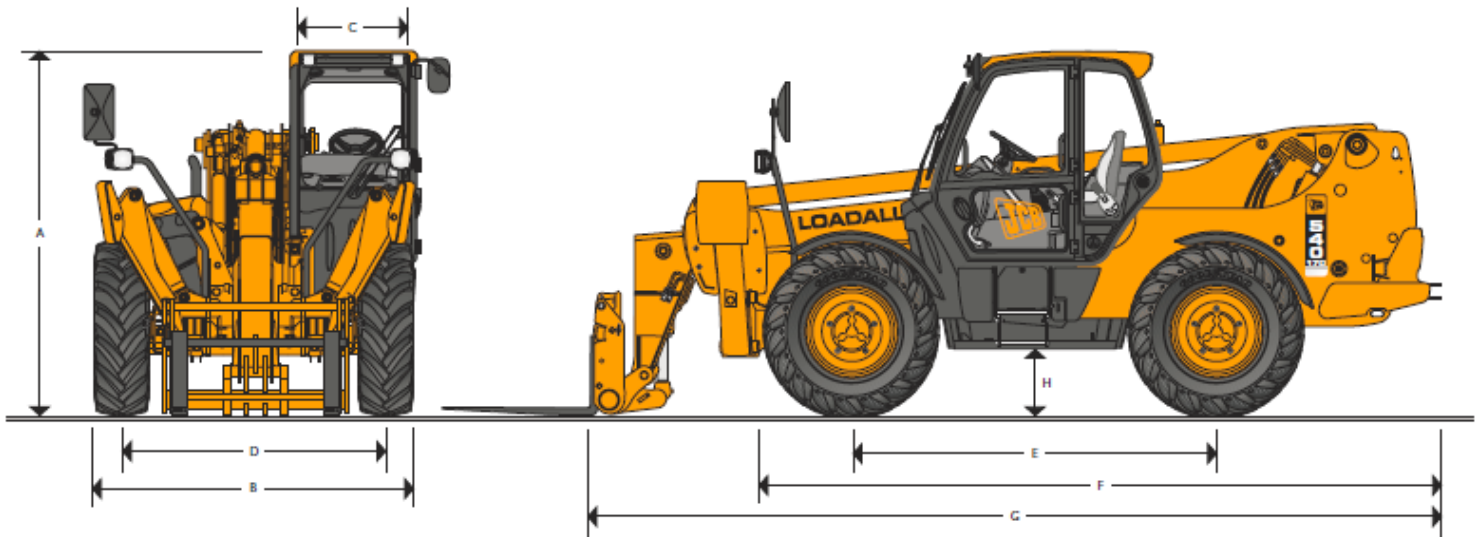
ENGINE

Displacement	ltr	4.4
No. of cylinders		4
Bore size	mm	105
Stroke	mm	127
Aspiration		Naturally Aspirated
Power rating	kW (HP)	
Power rating @ 2200rpm	kW (hp)	74.5 (100)
Torque rating		
Torque rating @ 1200rpm	Nm (lbf ft)	415 (306)

Call 01304 840845

OVENDEN

DIG IT > LOAD IT > CLEAR IT > MOVE IT



DIMENSIONS

Machine model 540-170

m

A	Overall height	2.69
B	Inside width of cab	2.44
C	Width over tyres (min)	0.94
D	Front track	1.90
E	Wheel base	2.75
F	Overall length to front of tyres	5.08
G	Overall length to front of carriage	6.36
H	Ground clearance	0.40
	Outer turn radius over tyres	4.1
	Weight - Fixed	12160
	Tyres	15.5

HYDRAULICS

Machine model

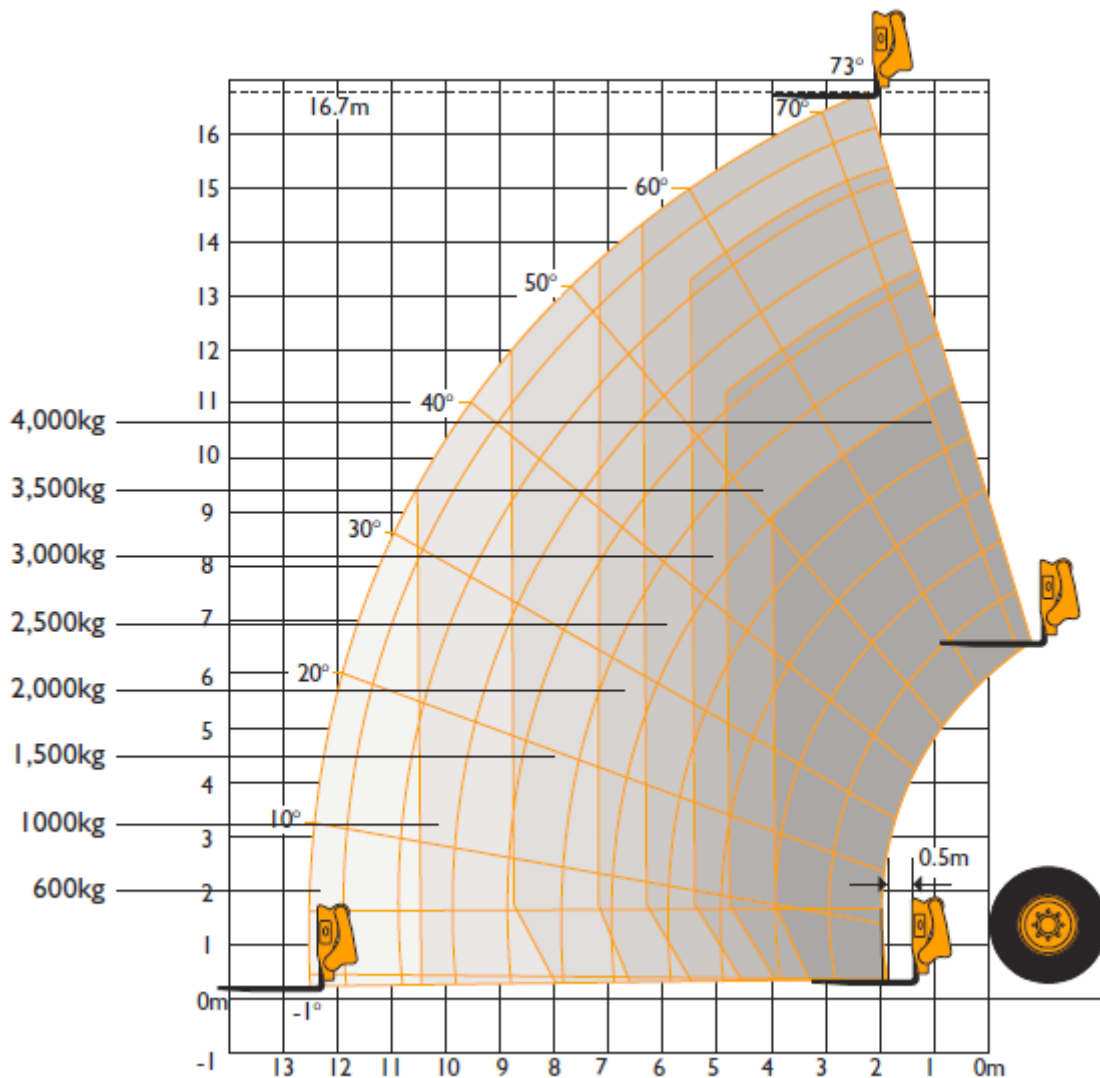
540-170

Operating system pressure	bar (psi)	260 (3770)
Flow at system pressure @ 2200rpm	ltr/min	90 + 72
Hydraulic Cycle Times		Seconds
Boom raise		6.6
Boom lower		4.9
Extend		41.8
Retract		33
Bucket dump		4.7
Bucket crowd		5.1

Call 01304 840845

OVENDEN

DIG IT > LOAD IT > CLEAR IT > MOVE IT



LIFT PERFORMANCE

With Stabilisers

Maximum lift capacity	kg	4000
Lift capacity at full height	kg	2500
Lift capacity at full reach	kg	600
Lift height	m	16.7
Reach at max. lift height	m	2.05
Maximum reach forward	m	12.50
Reach with 1 tonne load	m	10.50
Placing height	m	16.20

Call 01304 840845

OVENDEN

DIG IT > LOAD IT > CLEAR IT > MOVE IT