

# Doosan DX255 LC

## Hydraulic Excavator



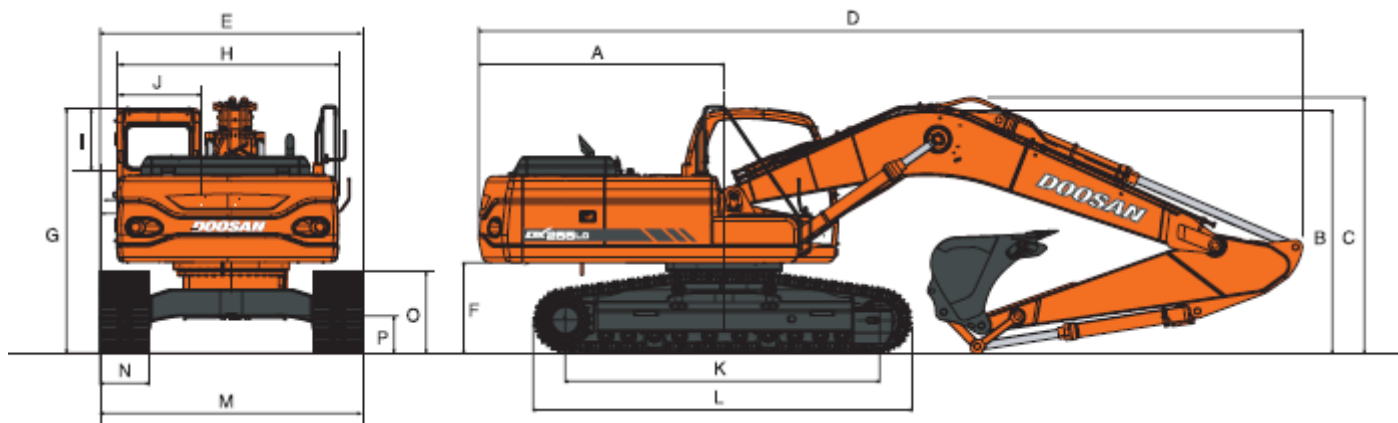
### ENGINE

<b>Model</b>	DOOSAN DL06 "Common Rail" engine with direct fuel injection and electronic control, 4 valves per cylinder, vertical injectors, water cooled, turbo charged with air to air intercooler. The emission levels are well below the values required for Phase III.
<b>Number of cylinders</b>	6
<b>Nominal flywheel power</b>	129 kW (175 Ps) at 1.900 rpm (DIN 6271 net) 129 kW (173 Hp) at 1.900 rpm (SAE J1349 net)
<b>Max torque</b>	78 kgf.m (765 Nm) at 1.400 rpm
<b>Piston displacement</b>	5.890 cc
<b>Bore &amp; stroke</b>	100 mm x 125 mm
<b>Starter</b>	24 V / 4,5 kW
<b>Batteries</b>	2 x 12 V / 100 Ah
<b>Air cleaner</b>	Double element and pre-filtered Turbo with auto dust evacuation.

Call 01304 840845

**OVENDEN**

DIG IT > LOAD IT > CLEAR IT > MOVE IT



## DIMENSIONS

<b>A</b>	Tail Swing Radius	2,995mm
<b>C</b>	Overall Height	3,100mm
<b>D</b>	Overall Length	10,055mm
<b>F</b>	Counterweight Clearance	1,110mm
<b>G</b>	Overall Height of cabinet	2,970mm
<b>H</b>	Overall Width upper structure	2,710mm
<b>J</b>	Cab Width	1,010mm
<b>K</b>	Tumbler Distance	3,835mm
<b>L</b>	Track Length	2,600mm
<b>M</b>	Overall Width	3,200mm
<b>N</b>	Shoe width	600mm

## HYDRAULICS

<b>Main pumps</b>	2 variable displacement axial piston pumps Max flow: 2 x 219 l/min
<b>Pilot pump</b>	Gear pump – max flow: 28,5 l/min
<b>Main relief valves</b>	
<b>Boom/arm/bucket</b>	Normal mode: 330 kg/cm <sup>2</sup> (324 bar) Power mode: 350 kg/cm <sup>2</sup> (343 bar) Travel: 330 kg/cm <sup>2</sup> (324 bar) Rotation: 275 kg/cm <sup>2</sup> (270 bar)

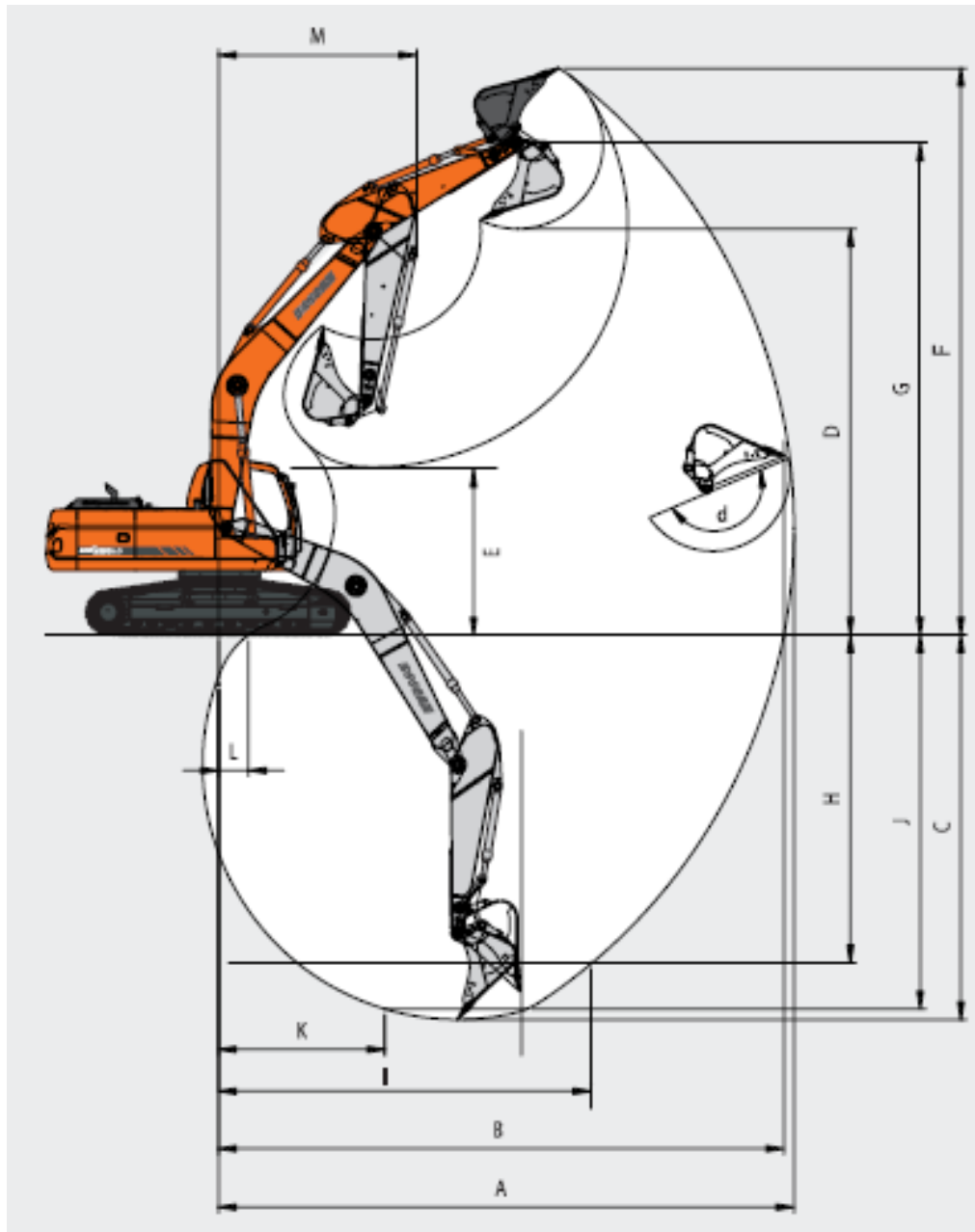
## HYDRAULIC CYLINDERS

Cylinders	Quantity	Bore x Rod diameter x stroke
<b>Boom</b>	2	130 x 90 x 1.355 mm
<b>Arm</b>	1	140 x 100 x 1.705 mm
<b>Bucket</b>	1	130 x 90 x 1.080 mm

Call 01304 840845

**OVENDEN**

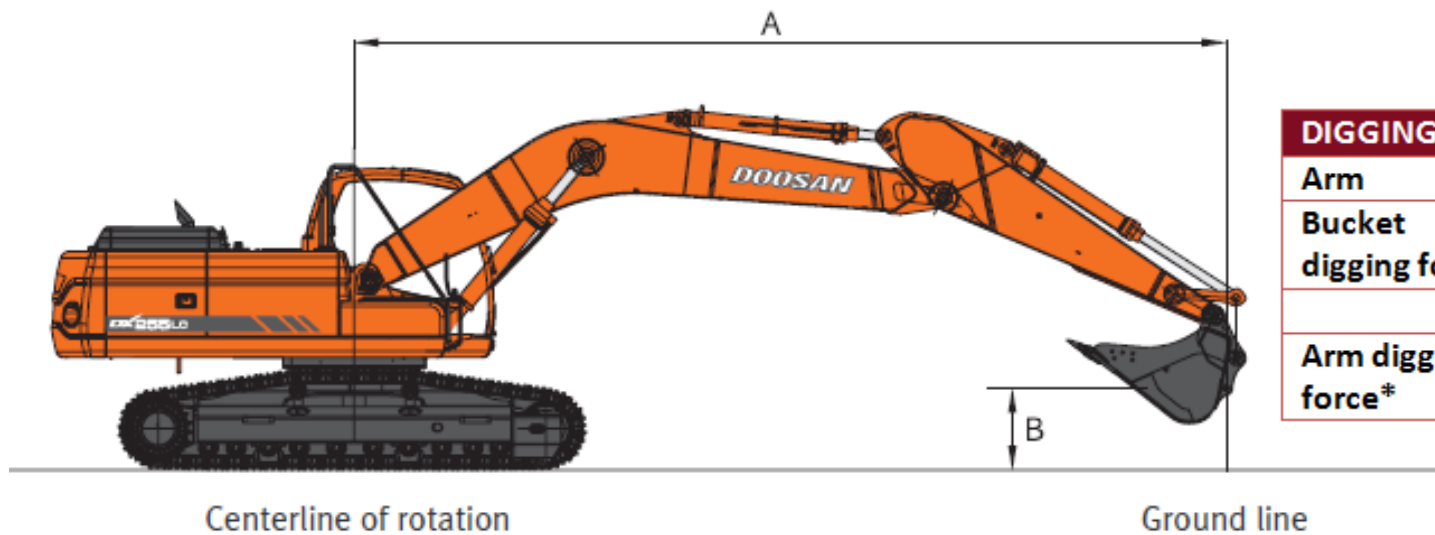
DIG IT > LOAD IT > CLEAR IT > MOVE IT



## DIMENSIONS

<b>Boom Length</b>		5,900mm
<b>Arm Length</b>		3,000mm
<b>Type of Bucket</b>		1.10m <sup>3</sup>
<b>A</b>	Max digging reach	10,195mm
<b>B</b>	Max digging reach at ground level	10,010mm
<b>C</b>	Max digging depth	6,815mm
<b>D</b>	Max dumping height	6,925mm
<b>E</b>	Min dumping height	2,530mm
<b>F</b>	Max digging height	9,605mm
<b>G</b>	Max bucket pin height	8,410mm
<b>H</b>	Max vertical wall height	5,225mm
<b>I</b>	Max vertical radius	7,230mm
<b>J</b>	Max digging depth	6,630mm
<b>K</b>	Min radius 8' line	2,995mm
<b>L</b>	Min digging reach	600mm
<b>M</b>	Min swing radius	3,845mm
<b>d</b>	Bucket angle	177deg

Call 01304 840845



## LIFTING CAPACITY

DIGGING FORCES			
Arm	2.5 m	3.0 m	3.5m
Bucket digging force*	18,400 kgf	18,400 kgf	18,400 kgf
	180 kN	180 kN	180 kN
Arm digging force*	14,600 kgf	12,400 kgf	11,100 kgf

Standard track — Boom: 5.900 mm - Arm: 3.000 mm – Bucket: SAE 1,1 m<sup>3</sup> (CECE 0,95 m<sup>3</sup>), Weight: 765 kg - Shoe: 600 mm

Units: 1.000 kg

B (m)	A (m)		2		3		4		5		6		7		8		Max. lift			
	⏏	⏏	⏏	⏏	⏏	⏏	⏏	⏏	⏏	⏏	⏏	⏏	⏏	⏏	⏏	⏏	⏏	A(m)		
7														*4,50	*4,50			*3,78	*3,78	7,29
6														*5,10	5,03			*3,79	*3,79	7,90
5										*5,56	*5,56	*5,36	4,96	*4,97	3,95			*3,87	3,66	8,35
4								*6,91	*6,91	*6,22	*6,22	*5,77	4,86	*5,48	3,9			*4,01	3,4	8,66
3			*14,39	*14,39	*10,14	*10,14	*8,13	8,02	*6,98	6,04	*6,25	4,74	*5,78	3,83				*4,21	3,23	8,85
2			*6,79	*6,79	*12,12	10,93	*9,33	7,73	*7,75	5,86	*6,76	4,63	5,71	3,75				*4,48	3,15	8,91
1			*5,90	*5,90	*13,53	10,55	*10,32	7,48	*8,42	5,7	6,95	4,52	5,64	3,69				4,81	3,14	8,87
0 (ground)	*3,58	*3,58	*7,22	*7,22	*14,27	10,35	*10,98	7,32	8,73	5,58	6,86	4,44	5,58	3,64				4,91	3,2	8,70
-1	*6,23	*6,23	*9,35	*9,35	*14,46	10,27	*11,29	7,23	8,65	5,51	6,8	4,39	5,55	3,61				5,15	3,35	8,42
-2	*8,80	*8,80	*12,04	*12,04	*14,20	10,27	*11,25	7,21	8,62	5,48	6,78	4,37						5,56	3,61	8,00
-3	*11,63	*11,63	*15,40	*15,40	*13,51	10,33	*10,83	7,24	8,64	5,5	6,81	4,4						6,25	4,05	7,42
-4	*14,97	*14,97	*15,66	*15,66	*12,31	10,46	*9,94	7,32	*8,10	5,57								*7,04	4,83	6,63
-5			*13,01	*13,01	*10,36	*10,36	*8,30	7,48										*7,22	6,39	5,56

Call 01304 840845