

Doosan DX300 LC

Hydraulic Excavator



ENGINE

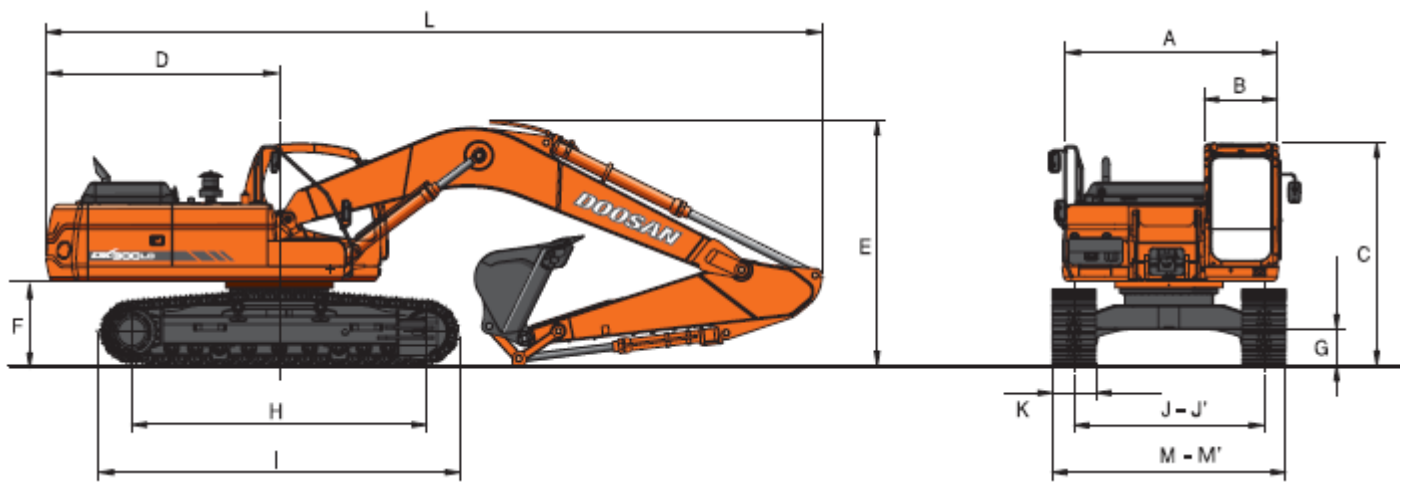
Manufacturer and Model	DOOSAN DL08 "Common Rail" engine with direct fuel injection and electronic control, 4 valves per cylinder, vertical injectors, water cooled, turbo charged with air to air intercooler. The emission levels are well below the values required for Phase III.
Nominal flywheel power	147 kW (200 Ps) at 1.900 rpm (DIN 6271 net) 147 kW (197 Hp) at 1.900 rpm (SAE J1349 net)
Cylinders	6
Max torque	93 kgf.m (911 Nm) at 1.300 rpm
Piston displacement	7.640 cc
Bore & stroke	108 mm x 139 mm

HYDRAULIC SYSTEM

Main pumps	2 variable displacement axial piston pumps Max flow: 2 x 247 l/min
Pilot pump	Gear pump – max flow: 28,5 l/min
Main relief valves	
Boom/arm/bucket:	
Normal mode	330 kg/cm ² (324 bar)
Power mode	350 kg/cm ² (343 bar)
Travel	330 kg/cm ² (324 bar)
Rotation	275 kg/cm ² (270 bar)

Call 01304 840845

OVENDEN
DIG IT > LOAD IT > CLEAR IT > MOVE IT



DIMENSIONS

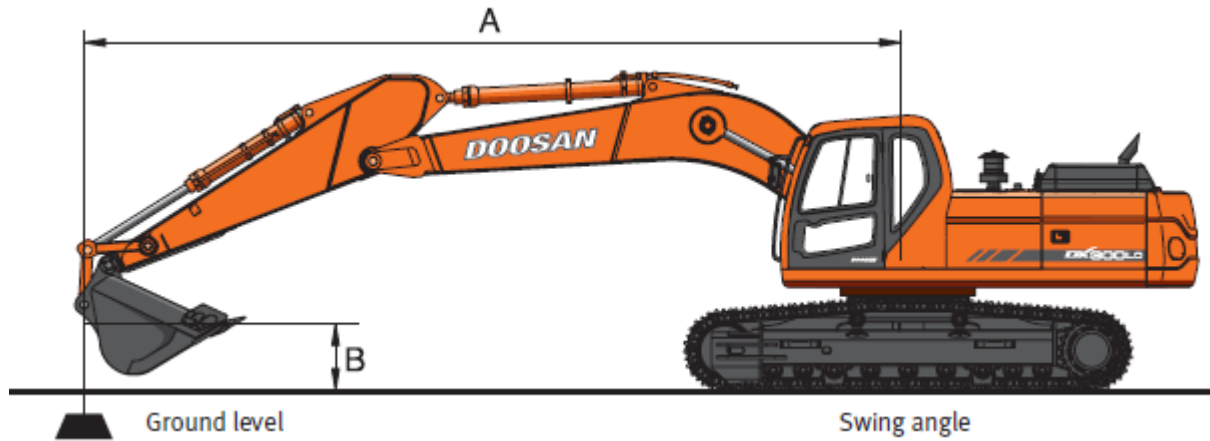
A	Overall width of upper structure	2.960 mm
B	Overall width of cabin	960 mm
C	Overall height of cabin	3.065 mm
D	Tail swing radius	3.200 mm
E	Overall height	3,1 m (Std/HD) 3.345 mm
F	Clearance under counterweight	1.175 mm
G	Ground clearance	500 mm
H	Tumbler distance	4.010 mm
I	Track length	4.930 mm
J	Track gauge (standard)	2.600 mm
J'	Track gauge (narrow)	2.400 mm
K	Track shoe width	600 mm
L	Overall length	3,1 m (Std/HD) 10.620 mm
M	Overall width (standard track)	3.200 mm
M'	Overall width (narrow track)	3.000 mm

Call 01304 840845

OVENDEN

DIG IT > LOAD IT > CLEAR IT > MOVE IT

LIFTING CAPACITY



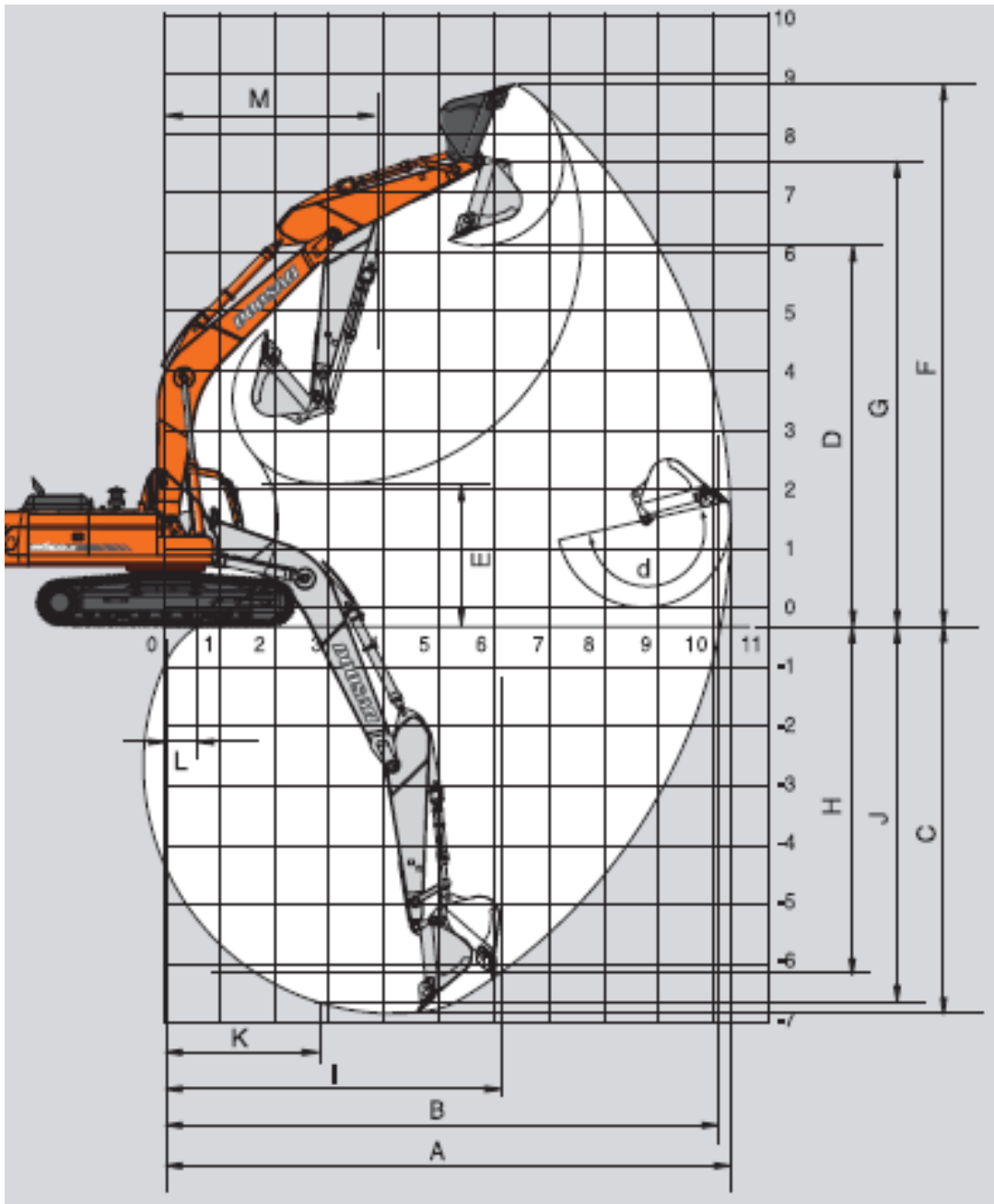
Standard track — Boom: 6.245 mm - Arm: 3.750 m - Bucket: SAE 1,05 m³ (CECE 0,9 m³), Weight: 987 kg - Shoe: 600 mm

Units: 1.000 kg

A (m) \ B (m)	2		3		4		5		6		7		8		9		Max. lift			
	⤴	⤵	⤴	⤵	⤴	⤵	⤴	⤵	⤴	⤵	⤴	⤵	⤴	⤵	⤴	⤵	⤴	⤵	A (m)	
8																		*3,55	*3,88	7,78
7													*4,50	*4,50				*3,54	*3,54	8,47
6													*4,78	*4,78				*3,59	*3,59	8,99
5											*5,10	*5,10	*5,06	4,94	*4,71	4,00	*3,69	*3,69	9,38	
4									*6,06	*6,06	*5,70	*5,70	*5,45	4,83	*5,31	3,93	*3,83	3,46	9,64	
3			*14,00	*14,00	*10,10	*10,10	*8,19	*8,19	*7,09	*7,09	*6,39	5,85	*5,92	4,71	*5,62	3,85	*4,04	3,31	9,80	
2			*11,17	*11,17	*12,72	*12,72	*9,80	9,54	*8,14	7,20	*7,11	5,67	*6,42	4,58	*5,95	3,77	*4,31	3,22	9,85	
1			*7,98	*7,98	*14,80	12,93	*11,20	9,15	*9,11	6,95	*7,79	5,50	*6,90	4,46	5,92	3,69	*4,66	3,20	9,80	
0 (ground)	*4,61	*4,61	*8,33	*8,33	*16,16	12,55	*12,27	8,87	*9,91	6,75	*8,38	5,35	7,04	4,36	5,85	3,62	*5,13	3,24	9,64	
-1	*6,69	*6,69	*9,76	*9,76	*16,75	12,35	*12,96	8,69	*10,48	6,61	8,57	5,25	6,96	4,29	5,80	3,58	5,44	3,36	9,37	
-2	*8,68	*8,68	*11,78	*11,78	*17,04	12,27	*13,28	8,60	*10,79	6,52	8,50	5,18	6,91	4,24			5,79	3,56	8,99	
-3	*10,97	*10,97	*14,29	*14,29	*16,79	12,29	*13,24	8,58	*10,82	6,50	8,48	5,16	6,90	4,24			6,34	3,90	8,46	
-4	*13,56	*13,56	*17,42	*17,42	*16,07	12,38	*12,81	8,63	*10,51	6,53	8,51	5,19					7,25	4,46	7,78	
-5	*16,61	*16,61	*19,20	*19,20	*14,81	12,54	*11,89	8,74	*9,73	6,52							*8,16	5,43	6,87	
-6	*20,36	*20,36	*16,33	*16,33	*12,75	*12,75	*10,20	8,94									*8,80	7,43	5,65	

Call 01304 840845

OVENDEN
DIG IT > LOAD IT > CLEAR IT > MOVE IT



WORKING RANGE		
	Boom length	6245mm
	Arm length	3750mm
	Type of bucket (PCSA)	1.05m3
A	Max, digging reach	11,27 mm
B	Max, digging reach at ground level	11,085 mm
C	Max, digging depth	8,01 mm
D	Max, dumping height	7,365 mm
E	Min, dumping height	2,07 mm
F	Max, digging height	10,41 mm
G	Max, bucket pin	8,98 mm
H	Max, vertical wall	6,67 mm
I	Max, vertical radius	7,045 mm
J	Max, digging depth (8' level)	7,895 mm
K	Min, radius 8' line	3,19 mm
L	Min, digging reach	-350 mm
M	Max, swing radius	4,065 deg
d	Bucket angle (deg)	174

Call 01304 840845