

Komatsu D65PX-17

Crawler Dozer



ENGINE

Model.	Komatsu SAA6D114E-3
Type	Common rail direct injection, water-cooled emissionised, turbocharged, after-cooled diesel
Rated capacity	
SAE J1995 gross	155 kW/207 HP @ 1.950 rpm
ISO 9249/SAE J1349 net	153 kW/205 HP @ 1.950 rpm
No. of cylinders	6
Bore x stroke	114 x 135 mm
Displacement	8,27 litre
Governor	All-speed, electronic
Lubrication system	
Method	Gear pump, force lubrication
Filter	Full flow

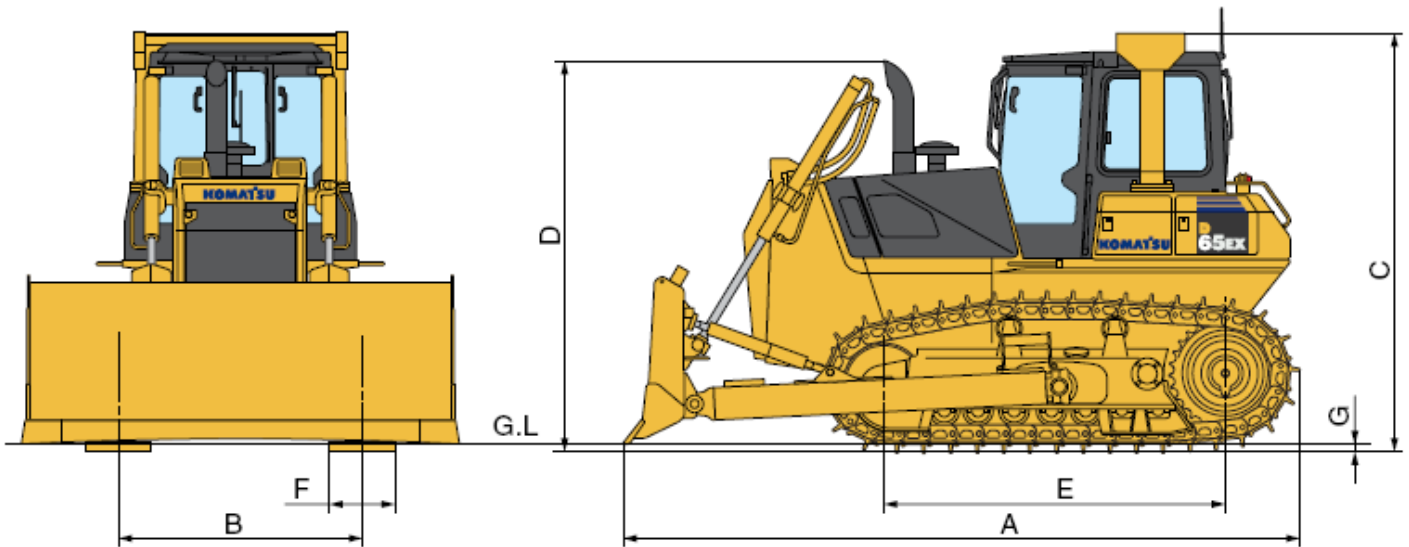
STEERING SYSTEM

Type	Hydrostatic Steering System (HSS)
Steering control	PCCS-lever
Service brakes	Wet, multiple-disc, pedal-controlled,
Minimum turning radius (counter-rotation)	
D65EX-15	1.8m
D65EX-15 Long track	2.0m
D65PX-15	2.2m

Call 01304 840845

OVENDEN

DIG IT > LOAD IT > CLEAR IT > MOVE IT



DIMENSIONS

D65PX-15	
A	5.520mm
B	2.050mm
C	3.220mm
D	2.990mm
E	3.285mm
F	915mm
G	65mm

Dimensions with semi -U tilt blade (D65EX-15) and single grouser

UNDERCARRIAGE

Suspension	Oscillating equaliser bar and pivot shaft
Track roller frame	Monocoque, large section, durable construction
Rollers and idlers	Lubricated track rollers
Tracks	Lubricated tracks, fully sealed
Track tension	Combined spring and hydraulic unit

TORQFLOW TRANSMISSION

Type	Komatsu TORQFLOW
Torque converter	3-element, 1-stage, 1-phase, water-cooled
Transmission	Planetary gear, multiple-disc clutch hydraulically actuated, force-lubricated

Gearshift lock lever and neutral safety switch prevent accidental starts.

Max. travel speeds	Forward	Reverse
1st	3,3 km/h	4,4 km/h
2nd	6,3 km/h	8,2 km/h
3rd	10,1 km/h	12,9 km/h

Call 01304 840845

OVENDEN

DIG IT > LOAD IT > CLEAR IT > MOVE IT